

# MF-401 Datasheet

## MEDIUM-FLOW PRESSURE REGULATOR



Gas    Liquid   |    Diaphragm    Piston   |    Self-Venting    Non-Venting   |   Max Inlet: 400bar (5,800psi)   |   Max Outlet: 400bar (5,800psi)   |   Cv 2.0



### INTRODUCING THE MF-401...

The MF-401 is a versatile piston-sensed non-venting regulator for liquid and gas applications.

The MF-401 offers a **balanced main valve** as standard for up to 400bar (5,800psi) inlet pressure. An **unbalanced** option can be offered alternatively for applications with maximum inlet pressures of up to 50bar (725psi).

The regulator housing and 'wetted' components are precision machined from 316 Stainless Steel, unless otherwise specified.

### STANDARD MATERIALS OF CONSTRUCTION

PART	MATERIALS
Body and Bonnet	AISI 316 / 316L Stainless Steel (UNS S31600 / S31603)
Main Valve Pin	AISI 316 / 316L Stainless Steel (UNS S31600 / S31603)
Soft Seat	PCTFE / PEEK™
Valve Spring	Inconel® X750
Piston	AISI 316 / 316L Stainless Steel (UNS S31600 / S31603)
Handwheel	Nylon
'O'-Ring Seals	FKM / FPM
Loading Spring	Alloy Spring Steel

### SPECIFICATION

Max Inlet Pressure:	Balanced	Unbalanced
PEEK™	400bar (5,800psi)	50bar (725psi)
PCTFE	400bar (5,800psi)	50bar (725psi)

Outlet Ranges	Up to 400bar (5,800psi)
Design Proof Pressure	150% max WP
Seat Leakage	In accordance with ANSI/FCI 70-3
Weight	5.8kg (12.8lbs)

### FEATURES AND BENEFITS

#### 1 OPTIONAL CONNECTION TYPES

Threaded or flanged connection type options.

#### 2 BALANCED MAIN VALVE DESIGN

Improved control across the pressure range.

#### 3 PISTON SENSING ELEMENT

Perfect for use in challenging conditions.

#### 4 HIGH FLOW COEFFICIENT

Cv 2.0 for higher flow capabilities.

Product availability and specifications contained herein are subject to change without notice. Consult local distributor or factory for potential revisions and/or service related issues. Pressure Tech Ltd support with product selection recommendations only - it is the users responsibility to ensure the product is suitable for their specific application requirements.



DESIGNED AND BUILT IN THE UK

#### PRESSURE TECH LTD

Unit 24, Graphite Way, Hadfield, Glossop, Derbyshire, UK, SK13 1QH  
 T +44 (0)1457 899 307  
 E info@pressure-tech.com  
 W www.pressure-tech.com

190418

PAGE:  
1 OF 4

# MF-401 Datasheet

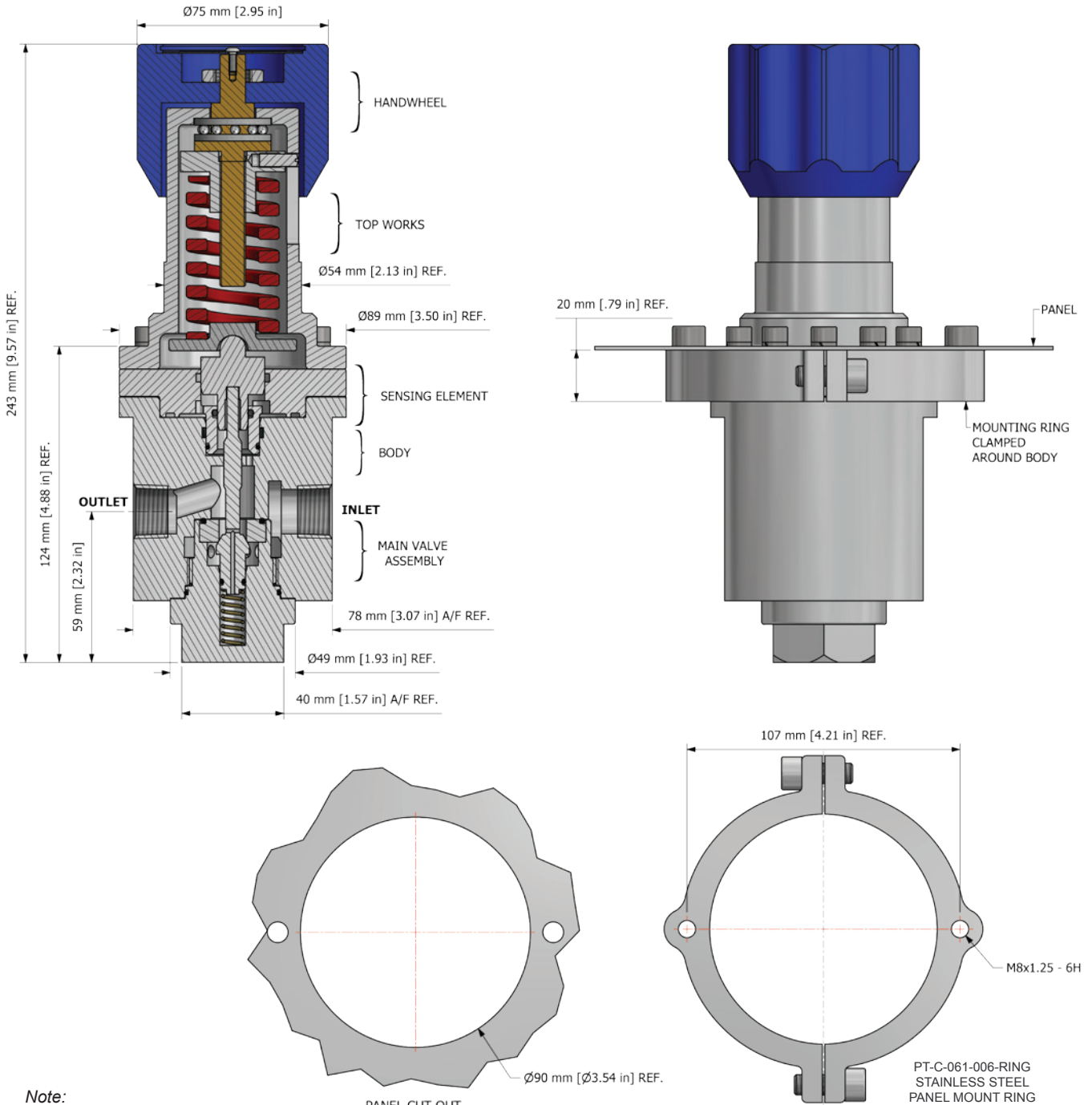
## MEDIUM-FLOW PRESSURE REGULATOR



Gas    Liquid   |    Diaphragm    Piston   |    Self-Venting    Non-Venting   |   Max Inlet: 400bar (5,800psi)   |   Max Outlet: 400bar (5,800psi)   |   Cv 2.0

### DRAWINGS AND INSTALLATION DIMENSIONS

Dimensions shown for 1/2" NPT option - please contact the office for additional connections options.



**Note:**  
All gauge ports are 1/4" NPT as standard.

Product availability and specifications contained herein are subject to change without notice. Consult local distributor or factory for potential revisions and/or service related issues. Pressure Tech Ltd support with product selection recommendations only - it is the users responsibility to ensure the product is suitable for their specific application requirements.



DESIGNED AND BUILT IN THE UK

**PRESSURE TECH LTD**  
 Unit 24, Graphite Way, Hadfield, Glossop, Derbyshire, UK, SK13 1QH  
 T +44 (0)1457 899 307  
 E info@pressure-tech.com  
 W www.pressure-tech.com

190418

PAGE:  
2 OF 4

# MF-401 Datasheet

MEDIUM-FLOW PRESSURE REGULATOR

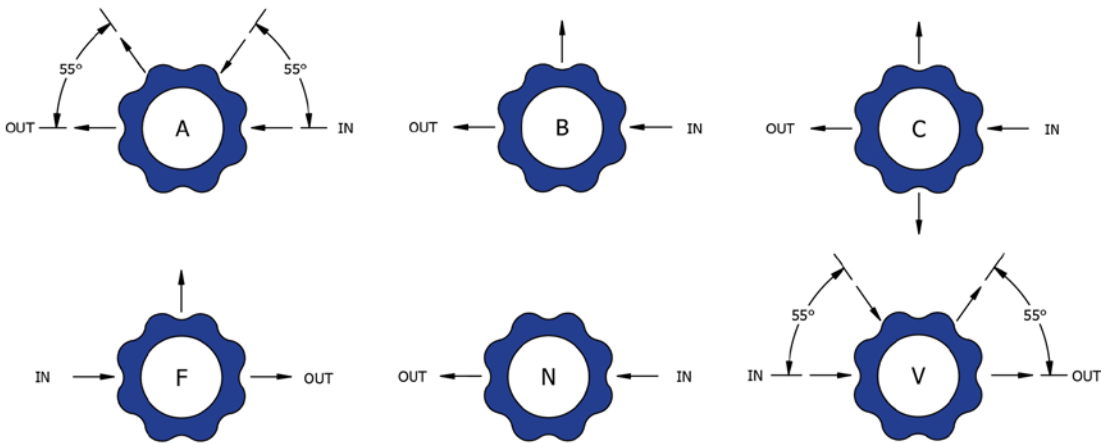


Gas  Liquid |  Diaphragm  Piston |  Self-Venting  Non-Venting | Max Inlet: 400bar (5,800psi) | Max Outlet: 400bar (5,800psi) | Cv 2.0

## FLOW CURVE

Please contact the office for further information.

## PORTING CONFIGURATIONS



**Note:**

Additional porting configurations are available - please contact the office for further information.

Product availability and specifications contained herein are subject to change without notice. Consult local distributor or factory for potential revisions and/or service related issues. Pressure Tech Ltd support with product selection recommendations only - it is the users responsibility to ensure the product is suitable for their specific application requirements.



DESIGNED AND BUILT IN THE UK

### PRESSURE TECH LTD

Unit 24, Graphite Way, Hadfield, Glossop, Derbyshire, UK, SK13 1QH  
T +44 (0)1457 899 307  
E [info@pressure-tech.com](mailto:info@pressure-tech.com)  
W [www.pressure-tech.com](http://www.pressure-tech.com)

190418

PAGE:  
3 OF 4

# MF-401 Datasheet

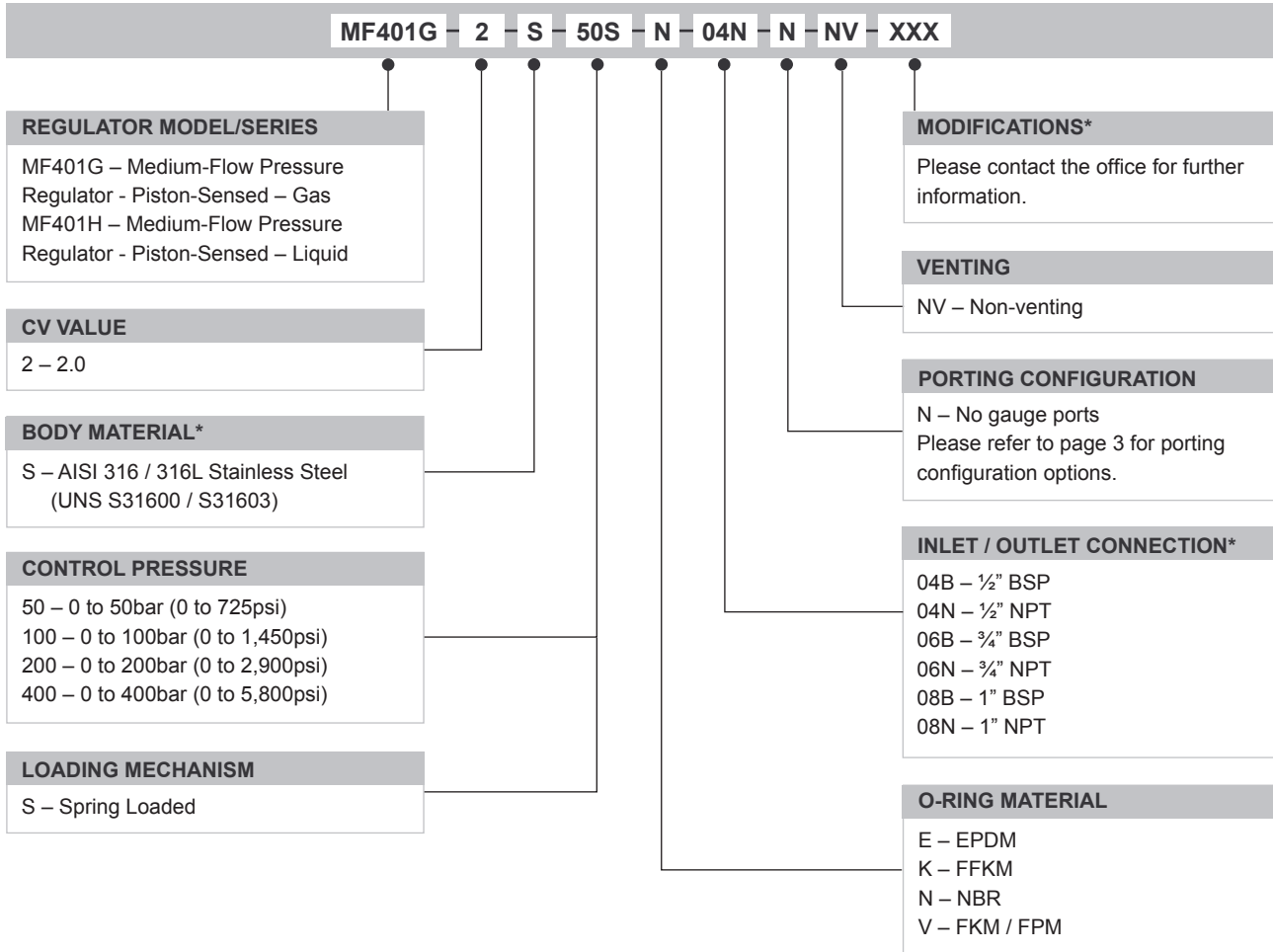
## MEDIUM-FLOW PRESSURE REGULATOR



Gas  
  Liquid  
  Diaphragm  
  Piston  
  Self-Venting  
  Non-Venting  
 Max Inlet: 400bar (5,800psi)  
 Max Outlet: 400bar (5,800psi)  
 Cv 2.0

### ORDERING INFORMATION

To build a Pressure Tech part number, simply combine the characters identified below in sequence:



OPTIONAL EXTRAS		
	PART NUMBER	DESCRIPTION
Service Kit	SRK-MF401-2-B...	Various 'Balanced' options available
Service Kit	SRK-MF401-2-U...	Various 'Unbalanced' options available
Panel Mount Ring	PT-C-061-006-RING	-

*Note:*  
Ancillary equipment also available

TRADEMARKS: Inconel® is a registered trademark of Inco Alloys International

\* Other connections/materials may be available - please contact the office

Product availability and specifications contained herein are subject to change without notice. Consult local distributor or factory for potential revisions and/or service related issues. Pressure Tech Ltd support with product selection recommendations only - it is the users responsibility to ensure the product is suitable for their specific application requirements.



DESIGNED AND BUILT IN THE UK

**PRESSURE TECH LTD**  
 Unit 24, Graphite Way, Hadfield, Glossop, Derbyshire, UK, SK13 1QH  
 T +44 (0)1457 899 307  
 E info@pressure-tech.com  
 W www.pressure-tech.com

190418