

BP-MF691 (05) Datasheet

MEDIUM-FLOW BACK PRESSURE REGULATOR



Gas
 Liquid
 |
 Diaphragm
 Piston
 |
 Max Rating: 1,034bar (15,000psi)
 |
 Control Range: 900bar (13,025psi)
 |
 Cv 0.5



INTRODUCING THE BP-MF691 (05)...

The BP-MF691 (05) is a piston-sensed medium-flow back pressure regulator for liquid applications. It includes Hastelloy® seating for excellent protection from cavitation and positive shut-off on medium-flow applications.

The BP-MF691 (05) accurately controls inlet pressures of up to 900bar (13,050psi) and vents excess pressure back via the threaded NPT or MP outlet port.

SPECIFICATION

Max Rating	1,034bar (15,000psi)
Control Range	Up to 900bar (13,025psi)
Design Proof Pressure	150% max. working pressure
Seat Leakage	In accordance with ANSI/FCI 70-3
Weight	5kg (11lbs)

STANDARD MATERIALS OF CONSTRUCTION

PART	MATERIALS
Body and Bonnet	AISI 316 / 316L Stainless Steel (UNS S31600 / S31603) or AISI 17-4 PH Stainless Steel (UNS S17400)
Main Valve Pin	Inconel® 718 (UNS N07718)
Seat	Hastelloy®
Valve Spring	Elgiloy® (UNS R30003)
Piston	AISI 316 / 316L Stainless Steel (UNS S31600 / S31603)
Handwheel	Nylon
'O'-Ring Seals	NBR or FKM / FPM
Loading Spring	Silicon Chrome Wire / Spring Alloy

FEATURES AND BENEFITS

1 PISTON SENSING ELEMENT

Perfect for use in challenging conditions.

2 PRECISION MACHINED SENSING ELEMENT

For accurate pressure control.

3 OPTIONAL AIR ACTUATOR

For fine remote adjustment.

4 OPTIONAL FLANGED CONNECTION

For compatibility with flanged systems.

Product availability and specifications contained herein are subject to change without notice. Consult local distributor or factory for potential revisions and/or service related issues. Pressure Tech Ltd support with product selection recommendations only - it is the users responsibility to ensure the product is suitable for their specific application requirements.



DESIGNED AND BUILT IN THE UK

PRESSURE TECH LTD

Unit 24, Graphite Way, Hadfield, Glossop, Derbyshire, UK, SK13 1QH
 T +44 (0)1457 899 307
 E info@pressure-tech.com
 W www.pressure-tech.com

120718

PAGE:
1 OF 4

BP-MF691 (05) Datasheet

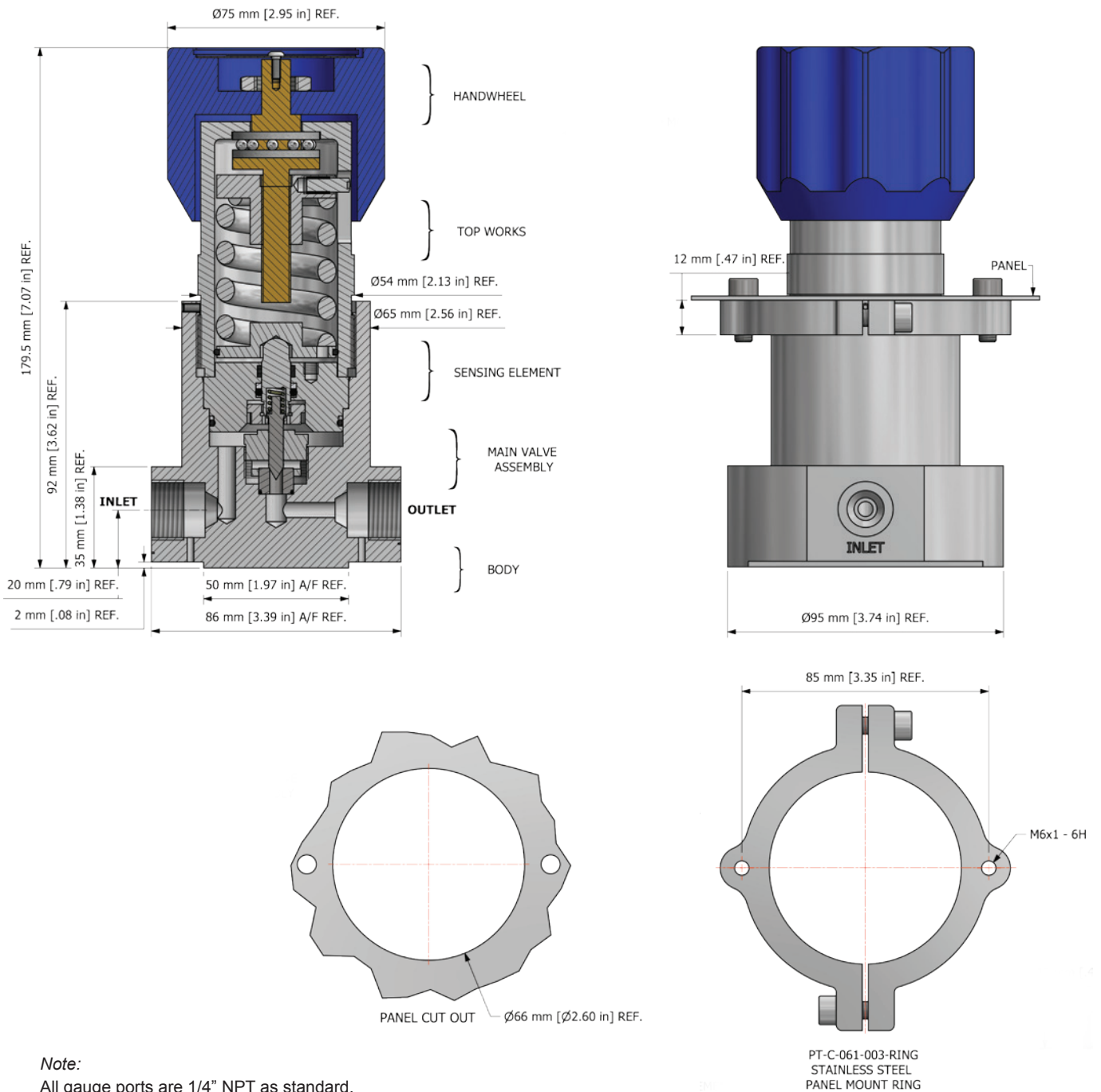
MEDIUM-FLOW BACK PRESSURE REGULATOR



● Gas ● Liquid | ● Diaphragm ● Piston | Max Rating: 1,034bar (15,000psi) | Control Range: 900bar (13,025psi) | Cv 0.5

DRAWINGS AND INSTALLATION DIMENSIONS

Dimensions shown for 1/2" MP option - please contact the office for additional connection options.



Note:
All gauge ports are 1/4" NPT as standard.

Product availability and specifications contained herein are subject to change without notice. Consult local distributor or factory for potential revisions and/or service related issues. Pressure Tech Ltd support with product selection recommendations only - it is the users responsibility to ensure the product is suitable for their specific application requirements.



DESIGNED AND BUILT IN THE UK

PRESSURE TECH LTD
Unit 24, Graphite Way, Hadfield, Glossop, Derbyshire, UK, SK13 1QH
T +44 (0)1457 899 307
E info@pressure-tech.com
W www.pressure-tech.com

120718

PAGE:
2 OF 4

BP-MF691 (05) Datasheet

MEDIUM-FLOW BACK PRESSURE REGULATOR

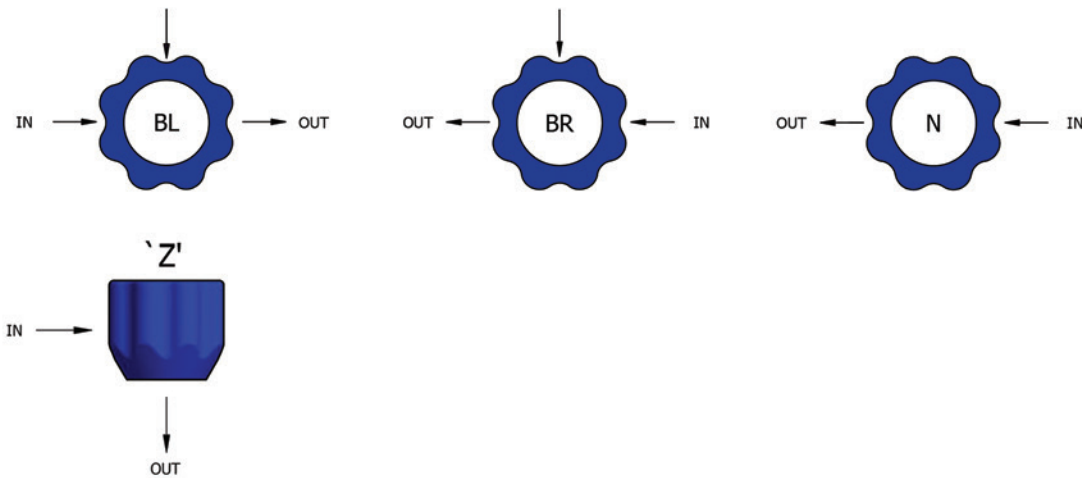


● Gas ● Liquid | ● Diaphragm ● Piston | Max Rating: 1,034bar (15,000psi) | Control Range: 900bar (13,025psi) | Cv 0.5

FLOW CURVE

Please contact the office for further information.

PORTING CONFIGURATIONS



Note:

Additional porting configurations are available - please contact the office for further information.

Product availability and specifications contained herein are subject to change without notice. Consult local distributor or factory for potential revisions and/or service related issues. Pressure Tech Ltd support with product selection recommendations only - it is the users responsibility to ensure the product is suitable for their specific application requirements.



DESIGNED AND BUILT IN THE UK

PRESSURE TECH LTD

Unit 24, Graphite Way, Hadfield, Glossop, Derbyshire, UK, SK13 1QH
T +44 (0)1457 899 307
E info@pressure-tech.com
W www.pressure-tech.com

120718

PAGE:
3 OF 4

BP-MF691 (05) Datasheet

MEDIUM-FLOW BACK PRESSURE REGULATOR



Gas
 Liquid
 Diaphragm
 Piston
 Max Rating: 1,034bar (15,000psi)
 Control Range: 900bar (13,025psi)
 Cv 0.5

ORDERING INFORMATION

To build a Pressure Tech part number, simply combine the characters identified below in sequence:

BP-MF691H - 05 - S - 690S - N - 03N - N - XXX	
<p>REGULATOR MODEL/SERIES</p> <p>BP-MF691H – Medium-Flow Back Pressure Regulator - Piston-Sensed - Liquid</p>	<p>MODIFICATIONS*</p> <p>Please contact the office for further information.</p>
<p>CV VALUE</p> <p>05 – 0.5</p>	<p>PORTING CONFIGURATION</p> <p>N - No gauge ports Please refer to page 3 for porting configuration options.</p>
<p>BODY MATERIAL**</p> <p>S – AISI 316 / 316L Stainless Steel (UNS S31600 / S31603) R – AISI 17-4 PH Stainless Steel (UNS S17400)</p>	<p>INLET/OUTLET CONNECTION**</p> <p>03A – 3/8" Medium Pressure 03N – 3/8" NPT 04A – 1/4" Medium Pressure 04N – 1/2" NPT 06A – 3/4" Medium Pressure 06N – 3/4" NPT</p>
<p>CONTROL PRESSURE</p> <p>600 – 5 to 600bar (0 to 8,700psi)*** 690 – 5 to 690bar (0 to 10,000psi) 900 – 5 to 900bar (0 to 13,025psi) - 'R' body required</p>	<p>O-RING MATERIAL**</p> <p>E – EPDM K – FFKM / FFPM N – NBR V – FKM/FPM</p>
<p>LOADING MECHANISM</p> <p>S – Spring Loaded A – Air Ratio Loaded</p>	

OPTIONAL EXTRAS		
	PART NUMBER	DESCRIPTION
Service Kit	SRK-BP-MF691-05...	Various options available
Panel Mounting Ring	PT-C-061-003-RING	Panel mount ring

Note:
Ancillary equipment also available

TRADEMARK: Elgiloy® is a registered trademark of Elgiloy Specialty Metals
Inconel® is a registered trademark of Inco Alloys International
Hastelloy® is a registered trademark of Haynes International, Inc

* Where applicable
** Other materials/connections may be available - please contact the office
*** Air loaded only

Product availability and specifications contained herein are subject to change without notice. Consult local distributor or factory for potential revisions and/or service related issues.
Pressure Tech Ltd support with product selection recommendations only - it is the users responsibility to ensure the product is suitable for their specific application requirements.



DESIGNED AND BUILT IN THE UK

PRESSURE TECH LTD
Unit 24, Graphite Way, Hadfield, Glossop, Derbyshire, UK, SK13 1QH
T +44 (0)1457 899 307
E info@pressure-tech.com
W www.pressure-tech.com

120718

PAGE:
4 OF 4