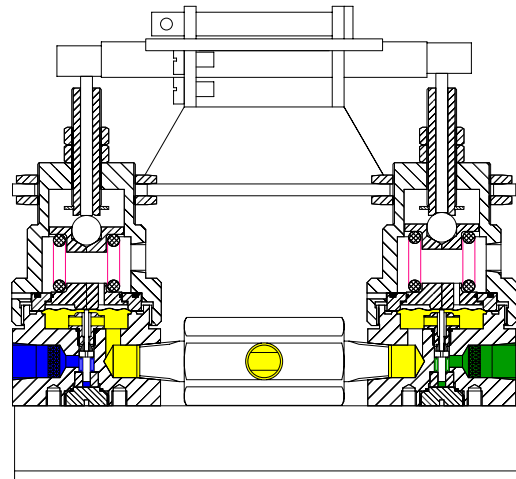


ACS-300 SERIES

Auto-changeover regulators



The ACS-300 provides a continual supply of gas. Upon depletion of one bank, the other automatically cuts in. A quick switch of the lever ensures the supply is reset to its original value. An optional second stage regulator prevents fluctuations in supply pressure.

APPLICATIONS:

- Medical or Laboratory process requiring a continual gas supply

FEATURES:

- 210bar max inlet pressure
- Easy to read indication of bottles 'inservice'
- Modular concept to meet individual needs
- 20micron inlet filter
- Smooth ergonomic hand wheel

STANDARD MATERIALS OF CONSTRUCTION

Regulator part	Material
Body and wetted parts	316SS
Bonnet	316SS
Seat	PCTFE
Connections	1/4" NPT
Inlet filter	20micron
O ring material	Viton

NOTE: Product availability and specifications contained herein are subject to change without notice. Consult local distributor or factory for potential revisions and/or service related issues. // pg 1 of 2

PRESSURE TECH LTD, Unit 6, Graphite Way, Hadfield, Glossop, Derbyshire SK13 1QG
 Tel: +44 (0)1457 899307 Fax: +44 (0)1457 899308
 e-mail: info@pressure-tech.com

www.pressure-tech.com



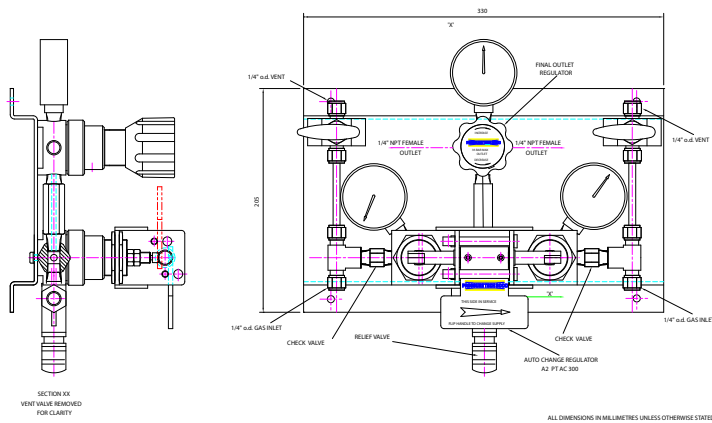
Designed and built in the UK



ACS-300 SERIES

Auto-changeover regulators

INSTALLATION DIMENSIONS:

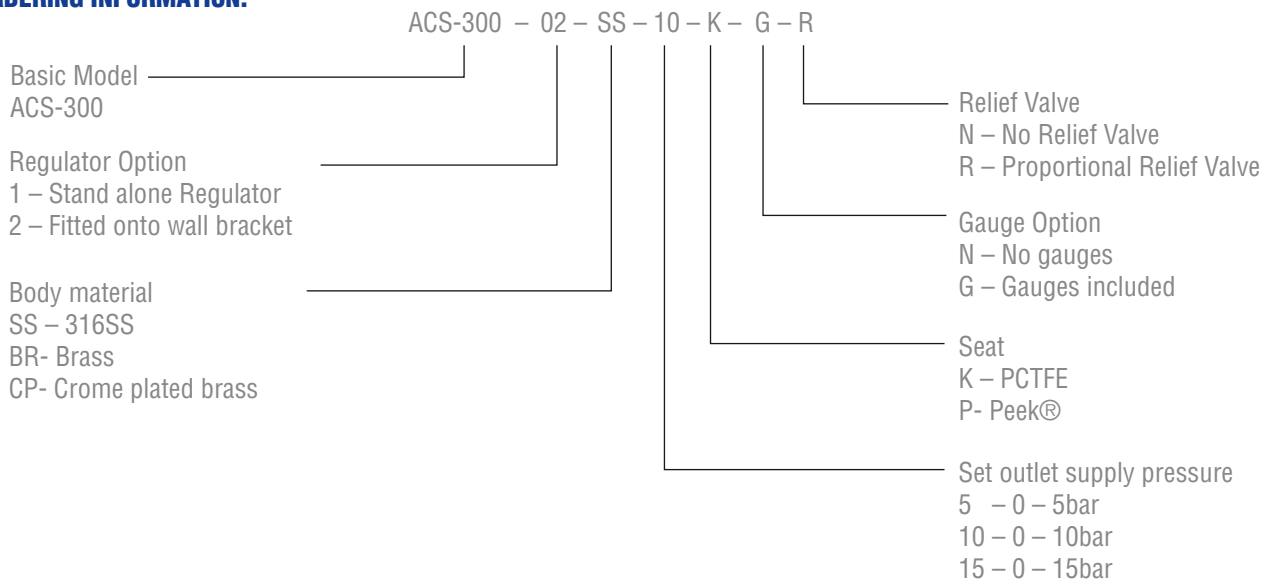


SPECIFICATION :

Operating temperature -20 to +70C
 Proof pressure 450bar
 Max rated outlet pressure 60bar
 Inboard He leak rate 1x10⁻⁶ atm cc/sec He
 (Individual testing available at extra cost)

*Changes can be made to suit individual needs
 – please refer to sales office to discuss specific requirements

ORDERING INFORMATION:



- Maximum outlet pressure can be set to specific requirements
- Changeover regulator will be set to approximately 10bar above second stage outlet pressure

NOTE: Product availability and specifications contained herein are subject to change without notice. Consult local distributor or factory for potential revisions and/or service related issues. // pg 2 of 2