

ACS310 Datasheet

AUTO-CHANGEOVER SYSTEM



● Gas ● Liquid | ● Diaphragm ● Piston | ● Self-Venting ● Non-Venting | Max Inlet: 300bar (4,350psi) | Max Outlet: 20bar (290psi) | Cv 0.06



INTRODUCING THE ACS310...

The ACS310 auto-changeover system provides a continual supply of gas, ideal for applications such as in medical or laboratory processes where a continual supply of gas is essential.

Upon depletion of one bank, the other automatically cuts in. A quick switch of the lever ensures the supply is reset to its original value. An optional second stage regulator prevents fluctuations in supply pressure.

The ACS310 incorporates the LF310 regulator with a solid disk type main valve assembly - further details may be found on the LF310 datasheet.

STANDARD MATERIALS OF CONSTRUCTION

PART	MATERIALS
Body and Bonnet	AISI 316 / 316L Stainless Steel (UNS S31600 / S31603)
Main Valve Pin	AISI 316 / 316L Stainless Steel (UNS S31600 / S31603)
Soft Seat	PCTFE / PEEK™
Valve Spring	Inconel® X750
Diaphragm	Inconel® X750
Handwheel	Nylon
'O'-Ring Seals	FKM / FPM
Loading Spring	AISI 302 Stainless Steel (UNS S30200)
Filter	40 Microns

SPECIFICATION

Max Rated Inlet Pressure	300bar (4,350psi)
Outlet Ranges	Up to 20bar (290psi)
Design Proof Pressure	150% max WP
Seat Leakage	In accordance with ANSI/FCI 70-3
Weight	7.2kg (15.8lbs)

FEATURES AND BENEFITS

1 IDEAL FOR MEDICAL OR LABORATORY APPLICATIONS

Ensures a constant supply of gas.

2 USER-FRIENDLY DESIGN

Easy to read pressure indication of bottles in-service.

3 OPTIONAL SECOND STAGE REGULATOR

To prevent fluctuations in supply pressure.

4 STAND-ALONE OR WALL-MOUNTABLE

To suit customer's application requirements.

Product availability and specifications contained herein are subject to change without notice. Consult local distributor or factory for potential revisions and/or service related issues. Pressure Tech Ltd support with product selection recommendations only - it is the users responsibility to ensure the product is suitable for their specific application requirements.



DESIGNED AND BUILT IN THE UK

PRESSURE TECH LTD

Unit 24, Graphite Way, Hadfield, Glossop, Derbyshire, UK, SK13 1QH
T +44 (0)1457 899 307
E info@pressure-tech.com
W www.pressure-tech.com

040718

PAGE:
1 OF 4

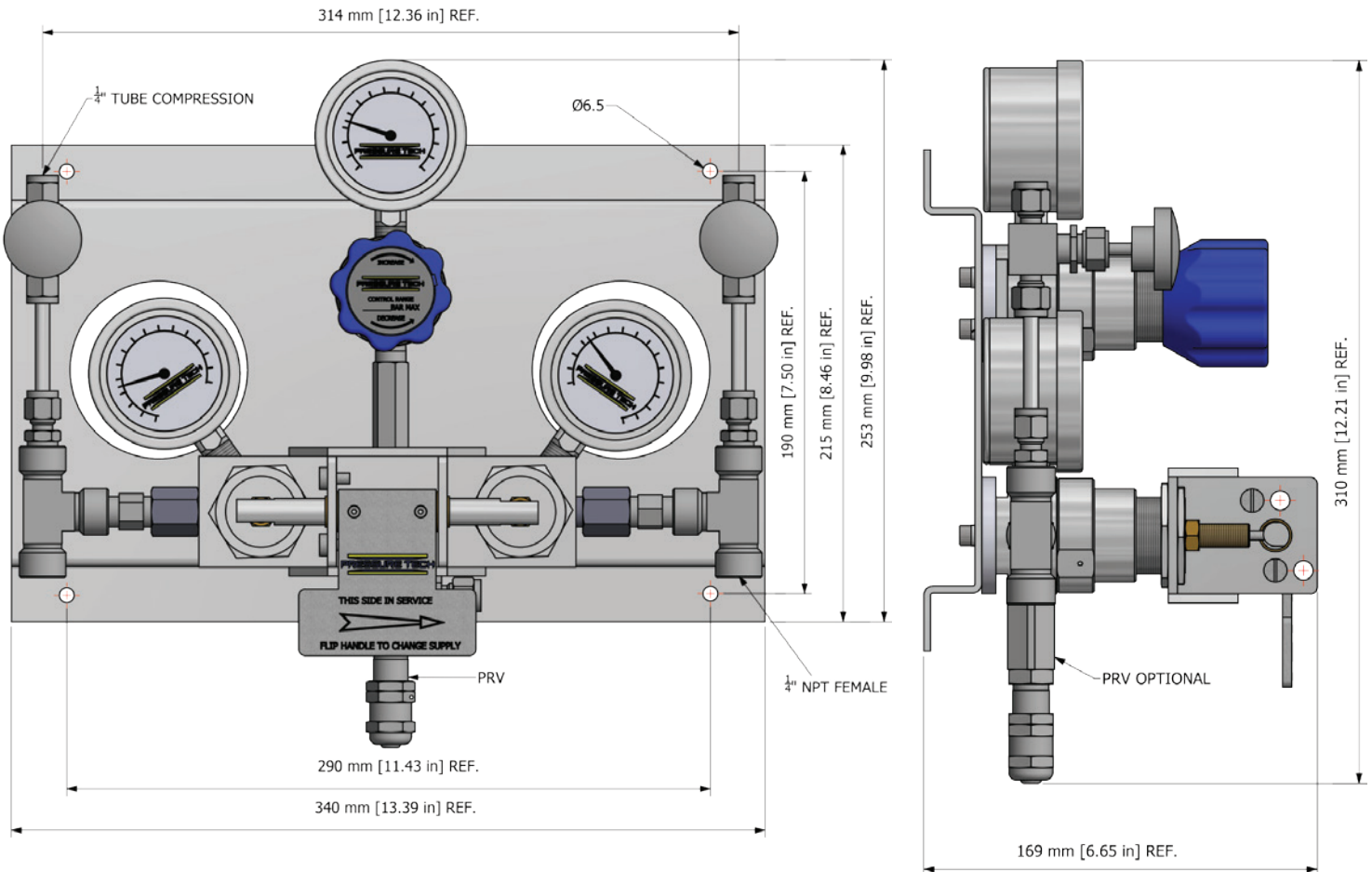
ACS310 Datasheet

AUTO-CHANGEOVER SYSTEM



Gas
 Liquid
 Diaphragm
 Piston
 Self-Venting
 Non-Venting
 Max Inlet: 300bar (4,350psi)
 Max Outlet: 20bar (290psi)
 Cv 0.06

DRAWINGS AND INSTALLATION DIMENSIONS



Note:
All gauge ports are 1/4" NPT as standard.

Product availability and specifications contained herein are subject to change without notice. Consult local distributor or factory for potential revisions and/or service related issues. Pressure Tech Ltd support with product selection recommendations only - it is the users responsibility to ensure the product is suitable for their specific application requirements.



DESIGNED AND BUILT IN THE UK

PRESSURE TECH LTD
 Unit 24, Graphite Way, Hadfield, Glossop, Derbyshire, UK, SK13 1QH
 T +44 (0)1457 899 307
 E info@pressure-tech.com
 W www.pressure-tech.com

040718

PAGE:
2 OF 4

ACS310 Datasheet

AUTO-CHANGEOVER SYSTEM



Gas Liquid | Diaphragm Piston | Self-Venting Non-Venting | Max Inlet: 300bar (4,350psi) | Max Outlet: 20bar (290psi) | Cv 0.06

FLOW CURVE

Please contact the office for further information.

Product availability and specifications contained herein are subject to change without notice. Consult local distributor or factory for potential revisions and/or service related issues.
Pressure Tech Ltd support with product selection recommendations only - it is the users responsibility to ensure the product is suitable for their specific application requirements.



DESIGNED AND BUILT IN THE UK



PRESSURE TECH LTD

Unit 24, Graphite Way, Hadfield, Glossop, Derbyshire, UK, SK13 1QH

T +44 (0)1457 899 307

E info@pressure-tech.com

W www.pressure-tech.com

040718

PAGE:
3 OF 4

ACS310 Datasheet

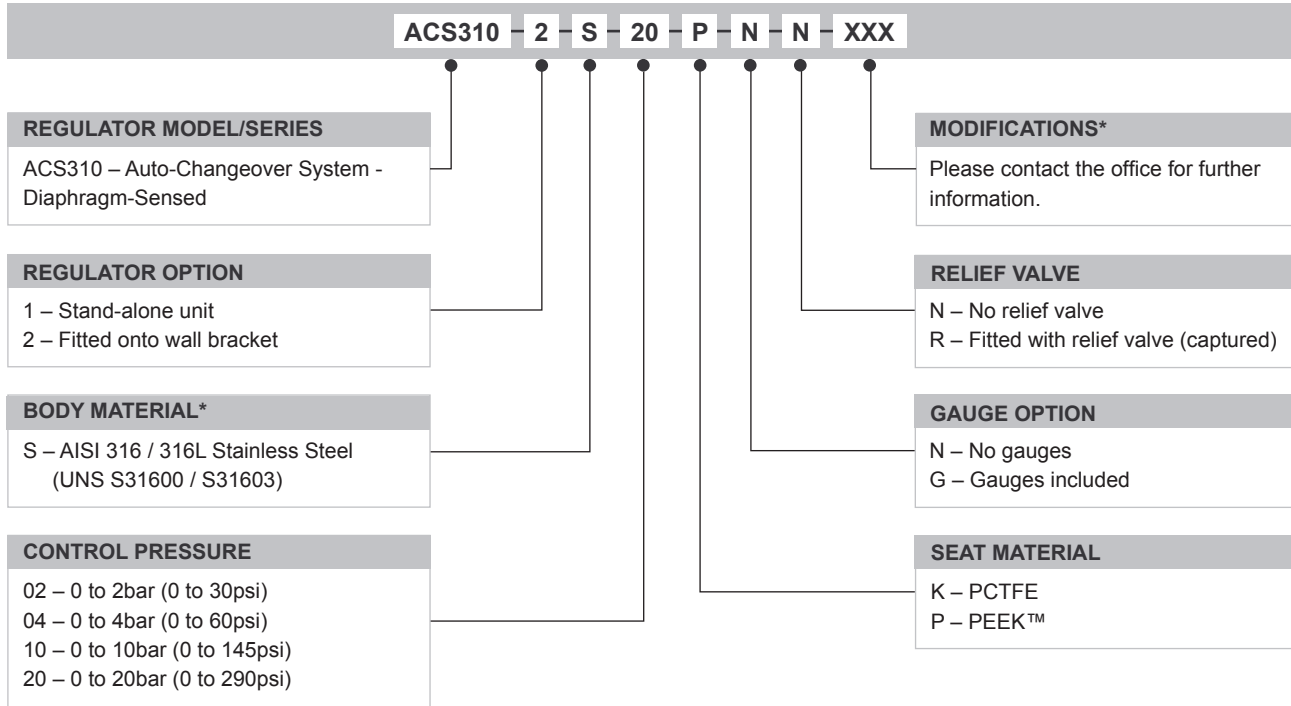
AUTO-CHANGEOVER SYSTEM



Gas
 Liquid
 |
 Diaphragm
 Piston
 |
 Self-Venting
 Non-Venting
 |
 Max Inlet: 300bar (4,350psi)
 |
 Max Outlet: 20bar (290psi)
 |
 Cv 0.06

ORDERING INFORMATION

To build a Pressure Tech part number, simply combine the characters identified below in sequence:



OPTIONAL EXTRAS		
	PART NUMBER	DESCRIPTION
Service Kit	SRK-ACS310...	Various options available
<i>Note:</i> Ancillary equipment also available		

TRADEMARKS: Inconel® is a registered trademark of Inco Alloys International
 PEEK™ is a trademark of Victrex PLC

* Other connections/materials may be available - please contact the office
 ** Air loaded only

Product availability and specifications contained herein are subject to change without notice. Consult local distributor or factory for potential revisions and/or service related issues.
 Pressure Tech Ltd support with product selection recommendations only - it is the users responsibility to ensure the product is suitable for their specific application requirements.



DESIGNED AND BUILT IN THE UK

PRESSURE TECH LTD
 Unit 24, Graphite Way, Hadfield, Glossop, Derbyshire, UK, SK13 1QH
 T +44 (0)1457 899 307
 E info@pressure-tech.com
 W www.pressure-tech.com

040718

PAGE:
4 OF 4