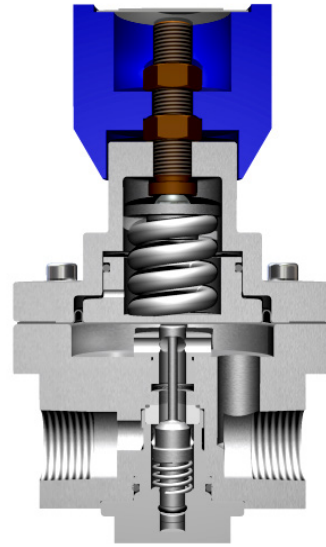


MF-230 SERIES

'Medium Flow' Pressure Regulator with sensitive elastomeric diaphragm
Max inlet: 230bar / 3300psi Cv 1.0



FEATURES:

- 316L SS Machined Wetted Parts
- Large sensitive elastomeric diaphragm
- 0.1bar to 10bar / 1.5psi to 150psi control range
- Minimal decaying inlet pressure effect
- For flow rates to 240Nm³/hr (@ max P2)

STANDARD MATERIALS OF CONSTRUCTION

Regulator part	Material
Body	316SS
Bonnet	316SS
Seat	PCTFE
Diaphragm (P2 max 10bar)	Extreme Viton
Handwheel	Nylon
Spring rests	316SS
'O' ring seals	FKM
Adjusting screw	Alu Bronze
Loading Spring	Spring Steel
Lubricant	Krytox GPL 205

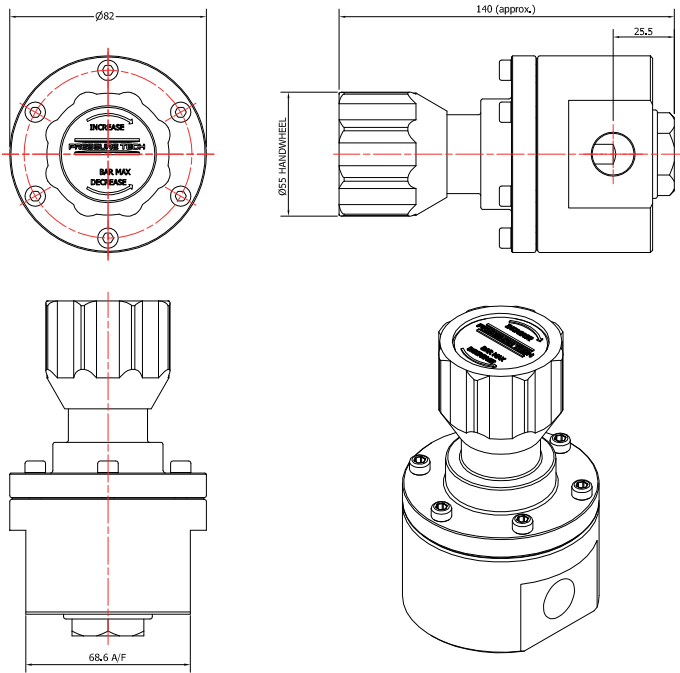
Pressure Tech reserve the right to amend dimensions and product detail as part of our commitment to achieve product realisation. Product selection is based on compatibility information and any prior user experience. Unless otherwise and specifically agreed, Pressure Tech cannot guarantee the suitability of product on individual applications, and this remains the users responsibility.

// pg 1 of 2

MF-230 SERIES

'Medium Flow' Pressure Regulator with sensitive elastomeric diaphragm
Max inlet: 230bar / 3300psi Cv 1.0

DIMENSIONS (FOR INDICATION PURPOSES ONLY):



SPECIFICATION :

Max rated inlet pressure	230bar / 3300psi
Max outlet ranges	Diaphragm: 10bar / 150psi
Body and trim	316 St St.
Leakage	Bubble tight to ANSIFCI 70-3-2004
Seat diameter	7.2 mm
Weight	Approx 1.7kg

ORDERING INFORMATION:

MF230 - 1 - S - 10S - K - 04N - N - NV

Basic Model	_____	NV – None venting
MF-230	_____	
Cv Value	_____	Porting configuration
1 – 1.0	_____	Refer office
Body material	_____	Inlet/outlet connections
S – 316SS	_____	04N – ½” NPT
		04B – ½” BSP
Outlet ranges	_____	Seat Material
01S: 0 – 1bar		T – Teflon (Max inlet: 10bar/150psi)
02S: 0 – 2bar		F – FEP (Max inlet: 50bar/725psi)
05S: 0 – 5bar		K – PCTFE (Max 230bar/3300psi)
10S: 0 – 10bar		

Pressure Tech reserve the right to amend dimensions and product detail as part of our commitment to achieve product realisation. Product selection is based on compatibility information and any prior user experience. Unless otherwise and specifically agreed, Pressure Tech cannot guarantee the suitability of product on individual applications, and this remains the users responsibility.

// pg 2 of 2