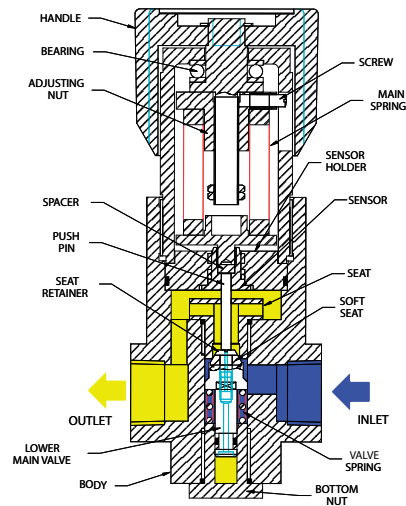


# MF-301 SERIES

'Medium Flow' Pressure Reducing Regulator Piston Sensed for outlet control to 200bar / 2900psi



\*Assembly drawing for reference only. Refer to office for specific detail.

The MF-301 provides control of pressures up to 200bar outlet pressure, and has a balanced main valve to minimize effect of decaying inlet pressure. The seating design incorporates protection against dynamic loads hitting the sensing element as the main valve open, hence providing stable control and hunting of the regulator. A lower entry plug also provides easy servicing of the PCTFE seat.

### APPLICATIONS:

- Compressed air systems
- Gas Quads
- Diving and life support applications
- Automated pressure cycling
- Pipeline test systems

### FEATURES:

- 300bar / 4350psi inlet pressure
- Precision machined sensing elements
- PCTFE seat fitted to main valve to help protect from potential particle damage
- Excellent sensitivity
- Self venting and non venting options

### STANDARD MATERIALS OF CONSTRUCTION

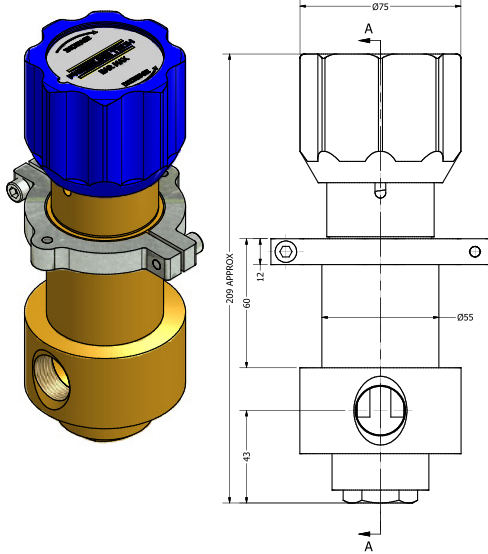
Regulator part	Material
Body and Bonnet	316SS or Brass
Main valve pin	316SS
Seat	PCTFE
Valve spring	302SS
Sensor and Holder	316SS
Handwheel	Nylon
Push pin	316SS
Spring rests	316SS
'O' ring seals	NBR, Viton or EPDM
Adjusting screw	AlI Bronze
Loading Spring	Spring Steel
Lubricant	Krytox GPL 205

NOTE: Product availability and specifications contained herein are subject to change without notice. Consult local distributor or factory for potential revisions and/or service related issues. // pg 1 of 2

# MF-301 SERIES

'Medium Flow' Pressure Reducing Regulator Piston Sensed for outlet control to 200bar / 2900psi

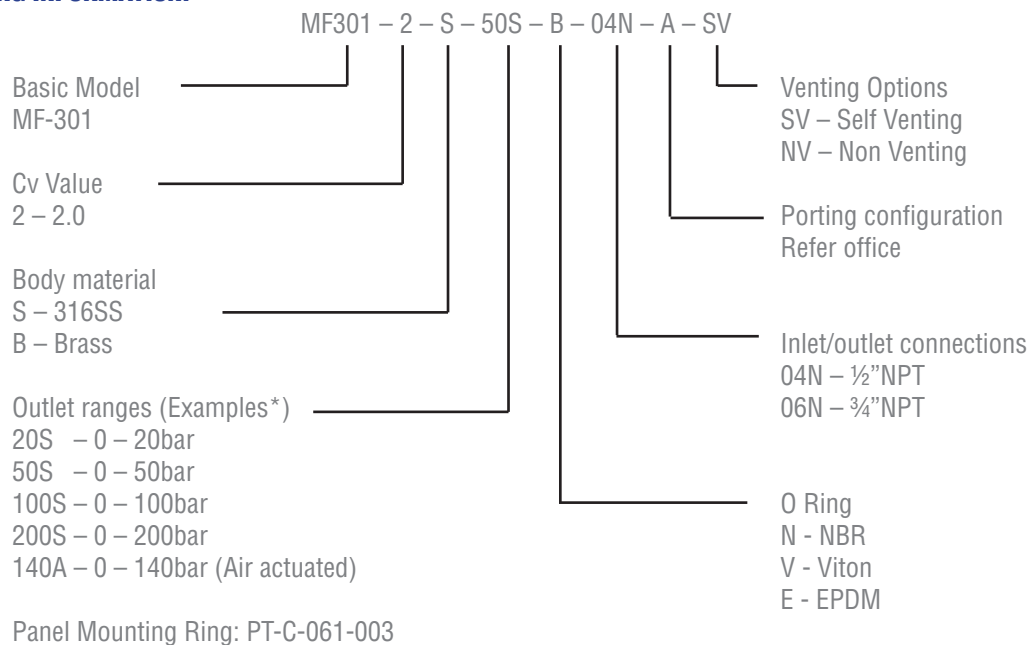
## INSTALLATION DIMENSIONS:



## SPECIFICATION :

Max rated inlet pressure ..... 300bar (4350psi)  
 Outlet ranges ..... up to 200bar (2900psi)  
 Design Proof pressure ..... 150% max WP  
 Leakage ..... Bubble tight at max WP (tested on Nitrogen)  
 Weight ..... 3.9kg / 8.4lbs  
 Oxygen cleaned

## ORDERING INFORMATION:



NOTE: Product availability and specifications contained herein are subject to change without notice. Consult local distributor or factory for potential revisions and/or service related issues. // pg 2 of 2