

# HYD-691 Datasheet

LOW-FLOW HYDRAULIC PRESSURE REGULATOR



● Gas ● Liquid | ● Diaphragm ● Piston | ● Self-Venting ● Non-Venting | Max Inlet: 690bar (10,000psi) | Max Outlet: 690bar (10,000psi) | Cv 0.06



## INTRODUCING THE HYD-691...

The HYD-691 is a low-flow hydraulic pressure regulator. Specifically targeting mineral oil applications, it has been designed as a compact and economical alternative to our LF-690, yet still incorporates all of its key features including a ceramic seat. In comparison, the LF-690 offers more extensive Cv options and caters for the harsh services encountered on water-based hydraulic applications such as water glycol.

Its ceramic ball has a 'glass-like' finish to provide a positive shut-off and is also fully supported to ensure fixed travel in the 'Y' axis. The HYD-691 is self-relieving with a segregated captured vent as standard.

## STANDARD MATERIALS OF CONSTRUCTION

PART	MATERIALS
Body and Bonnet	AISI 316 / 316L Stainless Steel (UNS S31600 / S31603)
Main Valve Ball	Ceramic
Soft Seat	Ceramic
Valve Spring	Elgiloy
Piston	AISI 316 / 316L Stainless Steel (UNS S31600 / S31603)
Handwheel	Nylon
'O'-Ring Seals	NBR
Loading Spring	Silicon Chrome Wire

## SPECIFICATION

Max Rated Inlet Pressure	690bar (10,000psi)
Outlet Ranges	Up to 690bar (10,000psi)
Design Proof Pressure	150% max WP
Seat Leakage	In accordance with ANSI/FCI 70-3
Weight	2.6kg (5.7lbs)

## FEATURES AND BENEFITS

### 1 CERAMIC SEATING DESIGN

Hard-wearing material for extended durability.

### 2 SEGREGATED CAPTURED VENT

Prevents deterioration to loading mechanism and allows media to be piped off to return tank.

### 3 COMPACT DESIGN

Perfect for when installation space is restricted.

### 4 MAIN VALVE CARTRIDGE DESIGN

Easy and convenient to service.

**NOTE:** Product availability and specifications contained herein are subject to change without notice. Consult local distributor or factory for potential revisions and/or service related issues. Pressure Tech Ltd support with product selection recommendations only - it is the users responsibility to ensure the product is suitable for their specific application requirements.



DESIGNED AND BUILT IN THE UK

### PRESSURE TECH LTD

Unit 24, Graphite Way, Hadfield, Glossop, Derbyshire, UK, SK13 1QH  
T +44 (0)1457 899 307  
E [info@pressure-tech.com](mailto:info@pressure-tech.com)  
W [www.pressure-tech.com](http://www.pressure-tech.com)

070618

PAGE:  
1 OF 4

# HYD-691 Datasheet

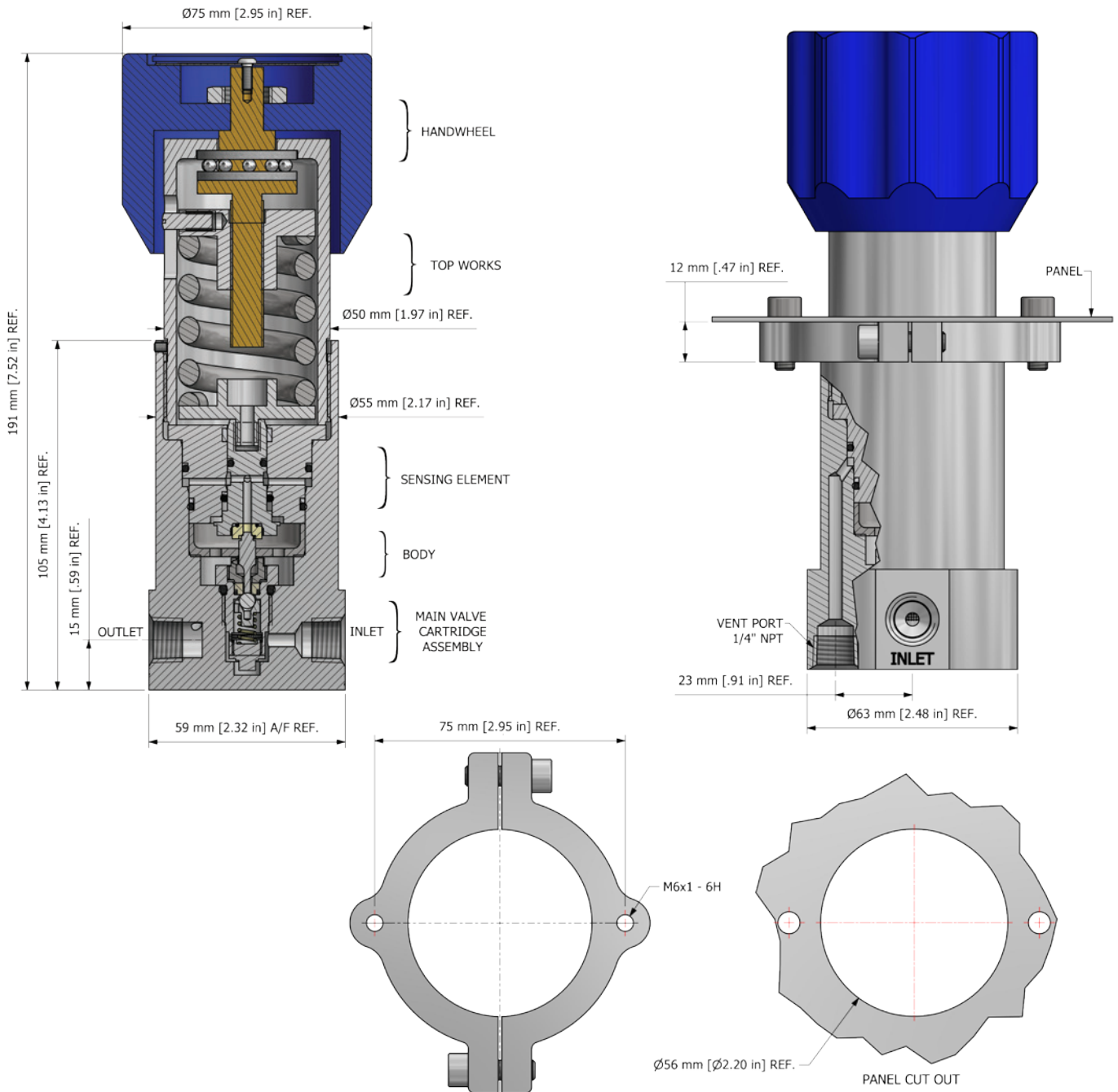
LOW-FLOW HYDRAULIC PRESSURE REGULATOR



● Gas ● Liquid | 
 ● Diaphragm ● Piston | 
 ● Self-Venting ● Non-Venting | 
 Max Inlet: 690bar (10,000psi) | 
 Max Outlet: 690bar (10,000psi) | 
 Cv 0.06

## DRAWINGS AND INSTALLATION DIMENSIONS

Dimensions shown for 1/4" NPT option - please contact the office for additional connections options.



PT-C-061-005-RING (STAINLESS STEEL)  
 PT-C-061-005-001-RING (ALUMINIUM)  
 PANEL MOUNT RING

**Note:**  
 All gauge ports are 1/4" NPT as standard.

**NOTE:** Product availability and specifications contained herein are subject to change without notice. Consult local distributor or factory for potential revisions and/or service related issues. Pressure Tech Ltd support with product selection recommendations only - it is the users responsibility to ensure the product is suitable for their specific application requirements.



DESIGNED AND BUILT IN THE UK

**PRESSURE TECH LTD**  
 Unit 24, Graphite Way, Hadfield, Glossop, Derbyshire, UK, SK13 1QH  
 T +44 (0)1457 899 307  
 E info@pressure-tech.com  
 W www.pressure-tech.com

070618

PAGE: 2 OF 4

# HYD-691 Datasheet

LOW-FLOW HYDRAULIC PRESSURE REGULATOR

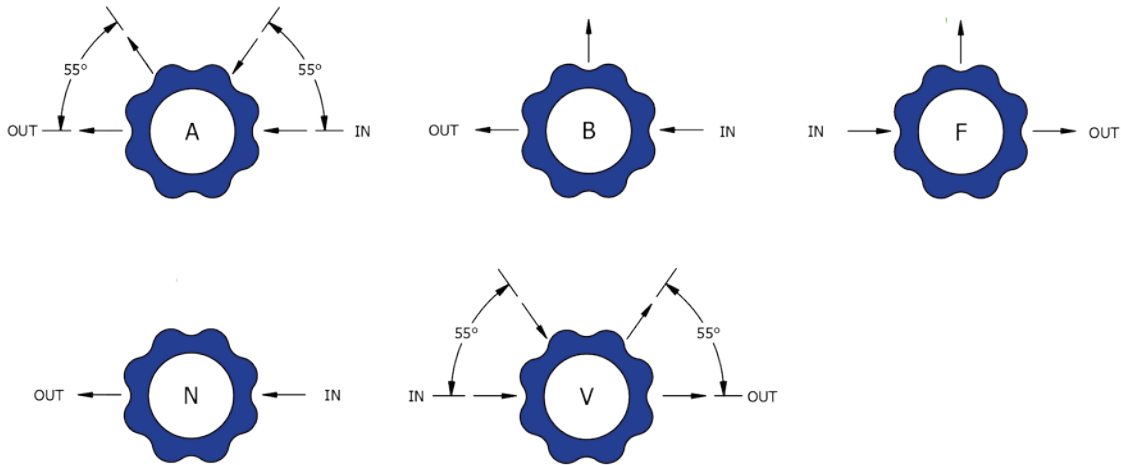


● Gas ● Liquid | ● Diaphragm ● Piston | ● Self-Venting ● Non-Venting | Max Inlet: 690bar (10,000psi) | Max Outlet: 690bar (10,000psi) | Cv 0.06

## FLOW CURVE

Please contact the office for further information.

## PORTING CONFIGURATIONS



### Notes:

Additional porting configurations are available - please contact the office for further information.

**NOTE:** Product availability and specifications contained herein are subject to change without notice. Consult local distributor or factory for potential revisions and/or service related issues. Pressure Tech Ltd support with product selection recommendations only - it is the users responsibility to ensure the product is suitable for their specific application requirements.



DESIGNED AND BUILT IN THE UK



### PRESSURE TECH LTD

Unit 24, Graphite Way, Hadfield, Glossop, Derbyshire, UK, SK13 1QH  
T +44 (0)1457 899 307  
E info@pressure-tech.com  
W www.pressure-tech.com

070618

PAGE:  
3 OF 4

# HYD-691 Datasheet

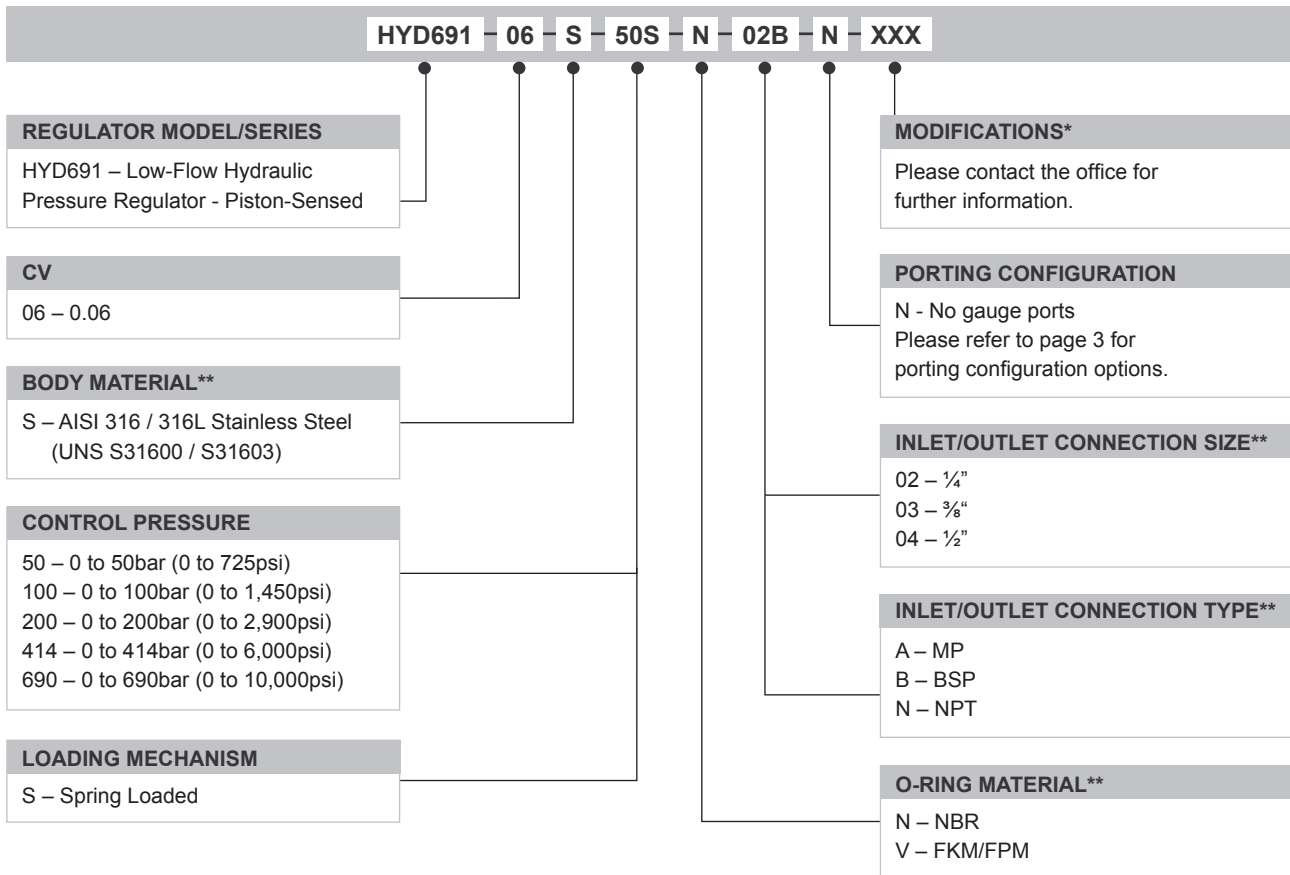
LOW-FLOW HYDRAULIC PRESSURE REGULATOR



Gas  
  Liquid  
  Diaphragm  
  Piston  
  Self-Venting  
  Non-Venting  
 Max Inlet: 690bar (10,000psi)  
 Max Outlet: 690bar (10,000psi)  
 Cv 0.06

## ORDERING INFORMATION

To build a Pressure Tech part number, simply combine the characters identified below in sequence:



OPTIONAL EXTRAS		
	PART NUMBER	DESCRIPTION
Service Kit	SRK-HYD691...	Various options available
Panel Mounting Ring	PT-C-061-005-RING	Stainless Steel panel mount ring
Panel Mounting Ring	PT-C-061-005-001-RING	Aluminium panel mount ring

**Note:**  
Ancillary Equipment and additional Service Kit options also available.

\* Where applicable  
\*\* Other materials / connections may be available - please contact the office

**NOTE:** Product availability and specifications contained herein are subject to change without notice. Consult local distributor or factory for potential revisions and/or service related issues. Pressure Tech Ltd support with product selection recommendations only - it is the users responsibility to ensure the product is suitable for their specific application requirements.



DESIGNED AND BUILT IN THE UK

**PRESSURE TECH LTD**  
 Unit 24, Graphite Way, Hadfield, Glossop, Derbyshire, UK, SK13 1QH  
 T +44 (0)1457 899 307  
 E info@pressure-tech.com  
 W www.pressure-tech.com

070618

PAGE:  
4 OF 4