

LGC-690 Datasheet

LOW-PRESSURE HYDRAULIC REDUCING REGULATOR



Gas
 Liquid
 |
 Diaphragm
 Piston
 |
 Self-Venting
 Non-Venting
 |
 Max Inlet: 414bar (6,000psi)
 |
 Max Outlet: 20bar (290psi)
 |
 Cv 0.3



INTRODUCING THE LGC-690...

The LGC-690 is a piston-sensed low-pressure hydraulic reducing regulator. It provides accurate control on Logic Control Systems used on Wellhead Control Panels where low deadband and repeatable pressure control is critical.

With a balanced main valve as standard, the LGC-690 offers an easy to service main valve cartridge assembly and self-venting via its captured port.

SPECIFICATION

Max Rated Inlet Pressure	414bar (6,000psi)
Outlet Ranges	Up to 20bar (290psi)
Design Proof Pressure	150% max WP
Seat Leakage	In accordance with ANSI/FCI 70-3
Weight	3.5kg (7.7lbs)

STANDARD MATERIALS OF CONSTRUCTION

PART	MATERIALS
Body and Bonnet	AISI 316 / 316L Stainless Steel (UNS S31600 / S31603)
Main Valve Pin	AISI 316 / 316L Stainless Steel (UNS S31600 / S31603) / Ceramic
Seat	PEEK™
Valve Spring	AISI 316 S42 Stainless Steel
Piston	AISI 316 / 316L Stainless Steel (UNS S31600 / S31603)
Handwheel	Nylon
'O'-Ring Seals	NBR or FKM/FPM
Loading Spring	Alloy Spring Steel
Filter	40 Microns

FEATURES AND BENEFITS

1 40 MICRON INLET FILTER

First stage soft seat protection from system contamination.

2 PISTON SENSING ELEMENT

Perfect for use in challenging conditions.

3 SEGREGATED CAPTURED VENT

Prevents deterioration to loading mechanism and allows media to be piped off to return tank.

4 EASY ACCESS TO SEAT CARTRIDGE

Simplified servicing through base of regulator.

Product availability and specifications contained herein are subject to change without notice. Consult local distributor or factory for potential revisions and/or service related issues. Pressure Tech Ltd support with product selection recommendations only - it is the users responsibility to ensure the product is suitable for their specific application requirements.



DESIGNED AND BUILT IN THE UK

PRESSURE TECH LTD

Unit 24, Graphite Way, Hadfield, Glossop, Derbyshire, UK, SK13 1QH
 T +44 (0)1457 899 307
 E info@pressure-tech.com
 W www.pressure-tech.com

070618

PAGE:
1 OF 4

LGC-690 Datasheet

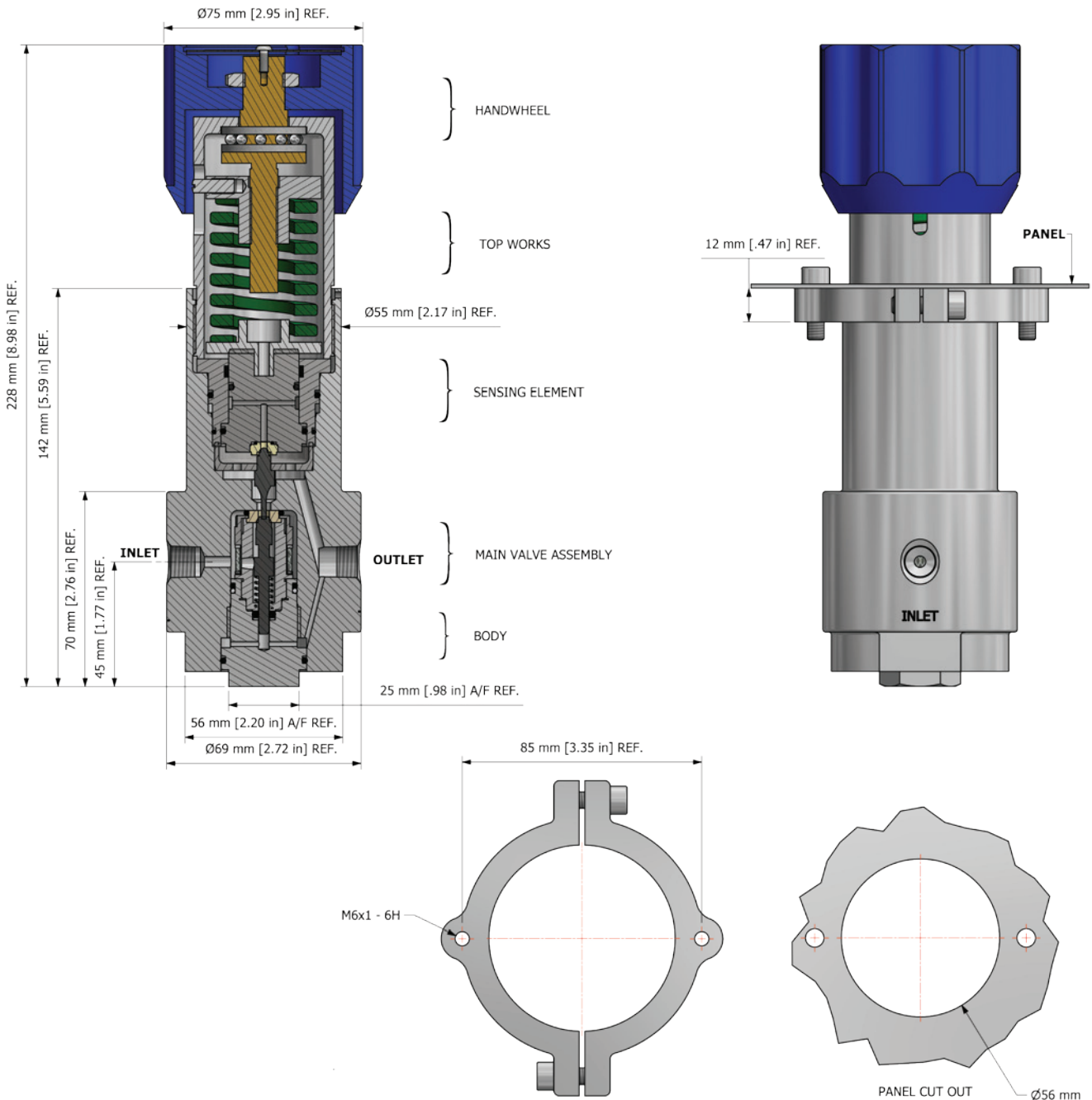
LOW-PRESSURE HYDRAULIC REDUCING REGULATOR



Gas Liquid | Diaphragm Piston | Self-Venting Non-Venting | Max Inlet: 414bar (6,000psi) | Max Outlet: 20bar (290psi) | Cv 0.3

DRAWINGS AND INSTALLATION DIMENSIONS

Dimensions shown for 1/4" NPT option - please contact the office for additional connection options.



Note:
All gauge ports are 1/4" NPT as standard.

PT-C-061-005-RING (STAINLESS STEEL)
PT-C-061-005-001-RING (ALUMINIUM)
PANEL MOUNT RING

Product availability and specifications contained herein are subject to change without notice. Consult local distributor or factory for potential revisions and/or service related issues. Pressure Tech Ltd support with product selection recommendations only - it is the users responsibility to ensure the product is suitable for their specific application requirements.



PRESSURE TECH LTD
Unit 24, Graphite Way, Hadfield, Glossop, Derbyshire, UK, SK13 1QH
T +44 (0)1457 899 307
E info@pressure-tech.com
W www.pressure-tech.com

070618

PAGE:
2 OF 4

LGC-690 Datasheet

LOW-PRESSURE HYDRAULIC REDUCING REGULATOR

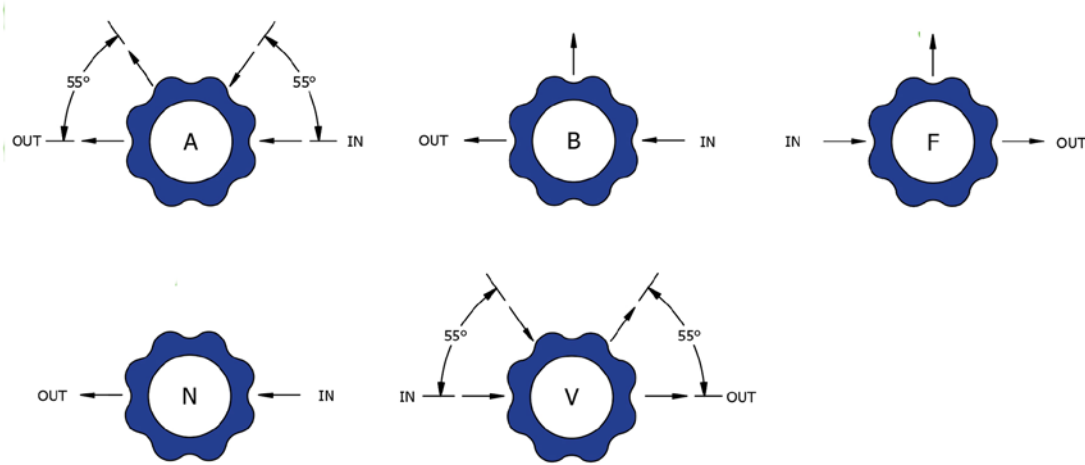


- Gas
- Liquid
- Diaphragm
- Piston
- Self-Venting
- Non-Venting
- Max Inlet: 414bar (6,000psi)
- Max Outlet: 20bar (290psi)
- Cv 0.3

FLOW CURVE

Please contact the office for further information.

PORTING CONFIGURATIONS



Note:

Additional porting configurations are available - please contact the office for further information.

Product availability and specifications contained herein are subject to change without notice. Consult local distributor or factory for potential revisions and/or service related issues. Pressure Tech Ltd support with product selection recommendations only - it is the users responsibility to ensure the product is suitable for their specific application requirements.



DESIGNED AND BUILT IN THE UK

PRESSURE TECH LTD
Unit 24, Graphite Way, Hadfield, Glossop, Derbyshire, UK, SK13 1QH
T +44 (0)1457 899 307
E info@pressure-tech.com
W www.pressure-tech.com

070618

PAGE:
3 OF 4

LGC-690 Datasheet

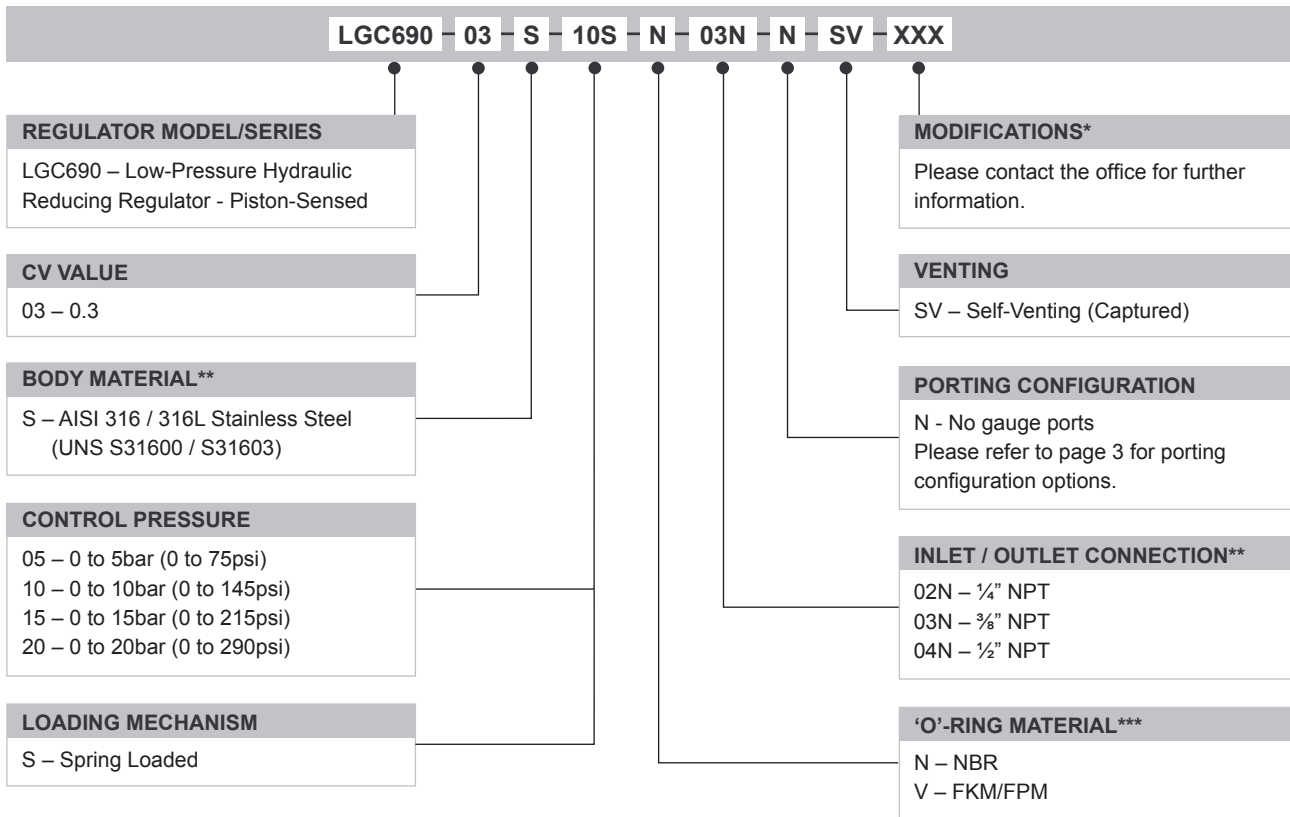
LOW-PRESSURE HYDRAULIC REDUCING REGULATOR



Gas Liquid | Diaphragm Piston | Self-Venting Non-Venting | Max Inlet: 414bar (6,000psi) | Max Outlet: 20bar (290psi) | Cv 0.3

ORDERING INFORMATION

To build a Pressure Tech part number, simply combine the characters identified below in sequence:



OPTIONAL EXTRAS		
	PART NUMBER	DESCRIPTION
Service Kit	SRK-LGC690...	Various options available
Panel Mounting Ring	PT-C-061-005-RING	Stainless Steel panel mount ring
Panel Mounting Ring	PT-C-061-005-001-RING	Aluminium panel mount ring

Note: Ancillary equipment also available.

* Where applicable
 ** Other materials / connections may be available - please contact the office

Product availability and specifications contained herein are subject to change without notice. Consult local distributor or factory for potential revisions and/or service related issues. Pressure Tech Ltd support with product selection recommendations only - it is the users responsibility to ensure the product is suitable for their specific application requirements.



PRESSURE TECH LTD
 Unit 24, Graphite Way, Hadfield, Glossop, Derbyshire, UK, SK13 1QH
 T +44 (0)1457 899 307
 E info@pressure-tech.com
 W www.pressure-tech.com

070618