

# BP301 Datasheet

BACK PRESSURE REGULATOR



Gas  Liquid |  Diaphragm  Piston |  Self-Venting  Non-Venting | Max Rating: 150bar (2,175psi) | Control Range: 150bar (2,175psi) | Cv 0.1



## INTRODUCING THE BP301...

The BP301 is a piston-sensed back pressure regulator for accurate back pressure control on both gas and liquid applications. It is available with flanged connections, perfect for systems that do not accept other options.

With a lower CV of 0.1, the BP301 can control pressures of up to 70bar (1,015psi). Alternatively, with a higher CV of 0.5, it can control up to 35bar (510psi).

## SPECIFICATION

Max Rating	150bar (2,175psi)
Control Range	Up to 150bar (2,175psi)
Design Proof Pressure	150% max WP
Seat Leakage	In accordance with ANSI/FCI 70-3
Weight	0.9kg (2lbs)

## STANDARD MATERIALS OF CONSTRUCTION

Other materials are available - please contact the office.

PART	MATERIALS
Body and Bonnet	AISI 316 / 316L Stainless Steel (UNS S31600 / S31603)
Main Valve Pin	AISI 316 / 316L Stainless Steel (UNS S31600 / S31603)
Soft Seat	PEEK™ or PCTFE
Piston	AISI 316 / 316L Stainless Steel (UNS S31600 / S31603)
Handwheel	Nylon
'O'-Ring Seals	FKM / FPM
Loading Spring	AISI 302 Stainless Steel (UNS S30200)

## FEATURES AND BENEFITS

### 1 PISTON SENSING ELEMENT

Perfect for use in challenging conditions.

### 2 SUITABLE FOR GAS OR LIQUID APPLICATIONS

Versatile usage across a range of media-types.

### 3 CHOICE OF LOW FLOW COEFFICIENTS

Accurate control of process media with a CV of 0.1 or 0.5.

### 4 LIGHTWEIGHT & COMPACT DESIGN

Perfect for when installation space is restricted.

**NOTE:** Product availability and specifications contained herein are subject to change without notice. Consult local distributor or factory for potential revisions and/or service related issues. Pressure Tech Ltd support with product selection recommendations only - it is the users responsibility to ensure the product is suitable for their specific application requirements.



DESIGNED AND BUILT IN THE UK

### PRESSURE TECH LTD

Unit 24, Graphite Way, Hadfield, Glossop, Derbyshire, UK, SK13 1QH  
T +44 (0)1457 899 307  
E info@pressure-tech.com  
W www.pressure-tech.com

040718

PAGE:  
1 OF 4

# BP301 Datasheet

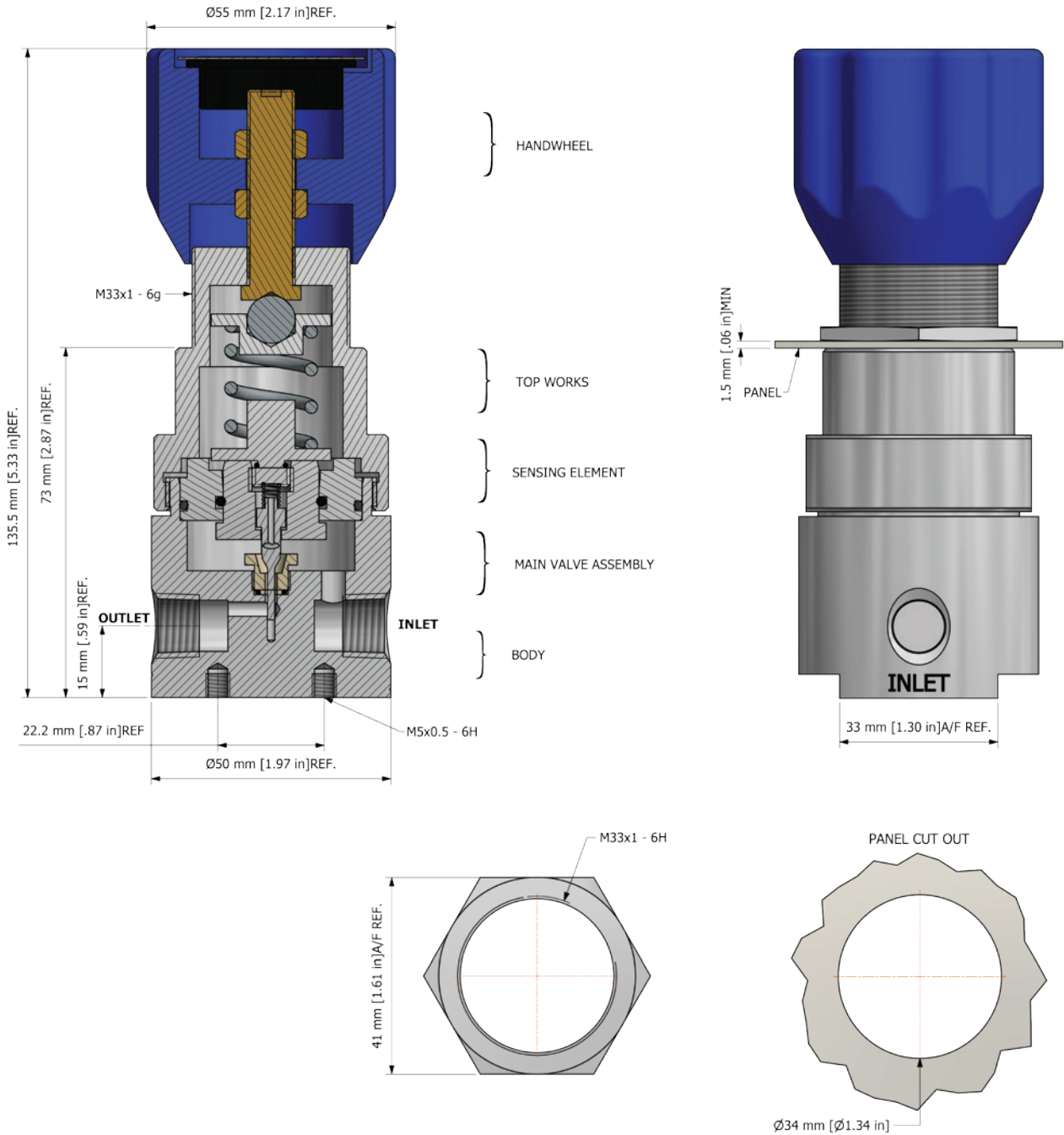
## BACK PRESSURE REGULATOR



Gas  
  Liquid  
  Diaphragm  
  Piston  
  Self-Venting  
  Non-Venting  
 Max Rating: 150bar (2,175psi)  
 Control Range: 150bar (2,175psi)  
 Cv 0.1

### DRAWINGS AND INSTALLATION DIMENSIONS

Dimensions shown for 1/4" NPT option - please contact the office for additional connections options.



**Note:**  
All gauge ports are 1/4" NPT as standard.

**NOTE:** Product availability and specifications contained herein are subject to change without notice. Consult local distributor or factory for potential revisions and/or service related issues. Pressure Tech Ltd support with product selection recommendations only - it is the users responsibility to ensure the product is suitable for their specific application requirements.



DESIGNED AND BUILT IN THE UK

**PRESSURE TECH LTD**  
 Unit 24, Graphite Way, Hadfield, Glossop, Derbyshire, UK, SK13 1QH  
 T +44 (0)1457 899 307  
 E info@pressure-tech.com  
 W www.pressure-tech.com

040718

PAGE:  
2 OF 4

# BP301 Datasheet

BACK PRESSURE REGULATOR

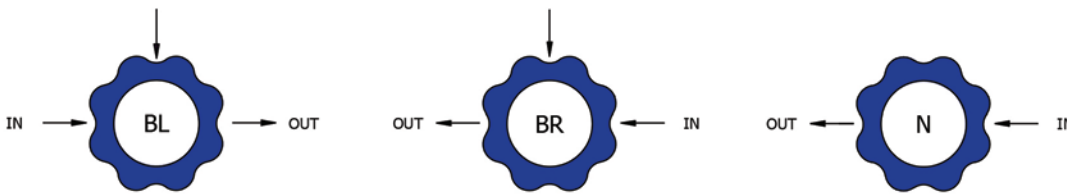


Gas  Liquid |  Diaphragm  Piston |  Self-Venting  Non-Venting | Max Rating: 150bar (2,175psi) | Control Range: 150bar (2,175psi) | Cv 0.1

## FLOW CURVE

Please contact the office for further information.

## PORTING CONFIGURATIONS



*Note:*

Additional porting configurations are available - please contact the office for further information.

**NOTE:** Product availability and specifications contained herein are subject to change without notice. Consult local distributor or factory for potential revisions and/or service related issues. Pressure Tech Ltd support with product selection recommendations only - it is the users responsibility to ensure the product is suitable for their specific application requirements.



DESIGNED AND BUILT IN THE UK

### PRESSURE TECH LTD

Unit 24, Graphite Way, Hadfield, Glossop, Derbyshire, UK, SK13 1QH  
T +44 (0)1457 899 307  
E [info@pressure-tech.com](mailto:info@pressure-tech.com)  
W [www.pressure-tech.com](http://www.pressure-tech.com)

040718

PAGE:  
3 OF 4

# BP301 Datasheet

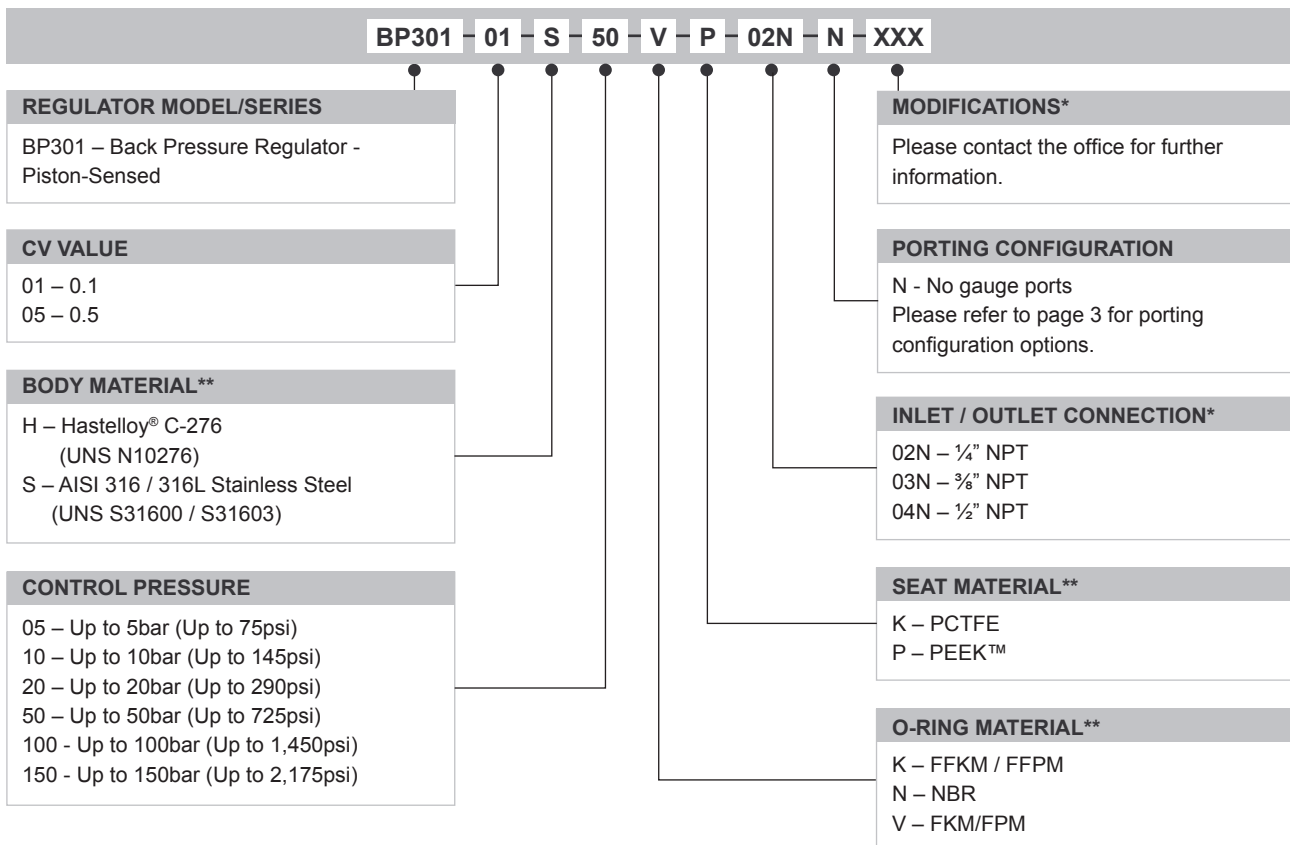
BACK PRESSURE REGULATOR



Gas  
  Liquid  
  Diaphragm  
  Piston  
  Self-Venting  
  Non-Venting  
 Max Rating: 150bar (2,175psi)  
 Control Range: 150bar (2,175psi)  
 Cv 0.1

## ORDERING INFORMATION

To build a Pressure Tech part number, simply combine the characters identified below in sequence:



OPTIONAL EXTRAS		
	PART NUMBER	DESCRIPTION
Service Kit	SRK-BP301...	Various options available
Panel Mounting Ring	PT-C-024	Stainless Steel panel mount ring

*Note:*  
Ancillary equipment also available

**TRADEMARKS:** PEEK™ is a trademark of Victrex PLC  
Hastelloy® is a registered trademark of Haynes International, Inc

\* Where applicable  
\*\* Other materials may be available - please contact the office

**NOTE:** Product availability and specifications contained herein are subject to change without notice. Consult local distributor or factory for potential revisions and/or service related issues.  
Pressure Tech Ltd support with product selection recommendations only - it is the users responsibility to ensure the product is suitable for their specific application requirements.



DESIGNED AND BUILT IN THE UK

**PRESSURE TECH LTD**  
Unit 24, Graphite Way, Hadfield, Glossop, Derbyshire, UK, SK13 1QH  
T +44 (0)1457 899 307  
E info@pressure-tech.com  
W www.pressure-tech.com

040718

PAGE:  
4 OF 4