

# LF311 Datasheet

## LOW-FLOW PRESSURE REGULATOR



Gas  
  Liquid  
  Diaphragm  
  Piston  
  Self-Venting  
  Non-Venting  
 Max Inlet: 414 bar (6,000 psi)  
 Max Outlet: 180 bar (2,610 psi)  
 Cv 0.06

Image for illustration purposes only



### INTRODUCING THE LF311...

The LF311 is a single-stage piston-sensed pressure regulator for applications that require higher supply pressures in addition to an extended life cycle.

Based on the LF301, the LF311 also offers a 'solid disk' seat design which is more robust for aggressive or high temperature applications.

### SPECIFICATION

Max. Rated Inlet Pressure	414 bar (6,000 psi)
Outlet Ranges	Up to 180 bar (2,610 psi)
Design Proof Pressure	150% max. working pressure
Seat Leakage	In accordance with ANSI/FCI 70-3
Weight	0.9kg (2lbs)

### STANDARD MATERIALS OF CONSTRUCTION

PART	MATERIALS
Body and Bonnet	ASTM A479 316/316L Stainless Steel (UNS S31600/S31603)
Main Valve Pin	ASTM A479 316/316L Stainless Steel
Soft Seat	PEEK™ (450G)
	PCTFE (Kel-F)
Valve Spring	Inconel® X750
Piston	ASTM A479 316/316L Stainless Steel
Handwheel	Nylon
O-Rings	FKM/FPM (Viton)
Loading Spring	ASTM A240 301 Stainless Steel (UNS S30100)
Filter	40 Microns

*Note:* Pressure regulator rating may be limited by connection type, Cv and/or seat material. Contact the office for specific pressure or temperature requirements.

### FEATURES AND BENEFITS

<h2>1</h2> <p><b>PISTON SENSING ELEMENT</b></p> <p>Perfect for use in challenging conditions.</p>	<h2>2</h2> <p><b>316SS THREADED BONNET</b></p> <p>For panel mounting option as standard.</p>	<h2>3</h2> <p><b>40 MICRON INLET FILTER</b></p> <p>First stage soft seat protection from system contamination.</p>	<h2>4</h2> <p><b>SOLID DISK SEAT DESIGN</b></p> <p>Robust design enabling higher inlet pressures of up to 414 bar (6,000 psi).</p>
---	--	--	--

Product availability and specifications contained herein are subject to change without notice. Consult local distributor or factory for potential revisions and/or service related issues. Pressure Tech Ltd support with product selection recommendations only - it is the users responsibility to ensure the product is suitable for their specific application requirements.

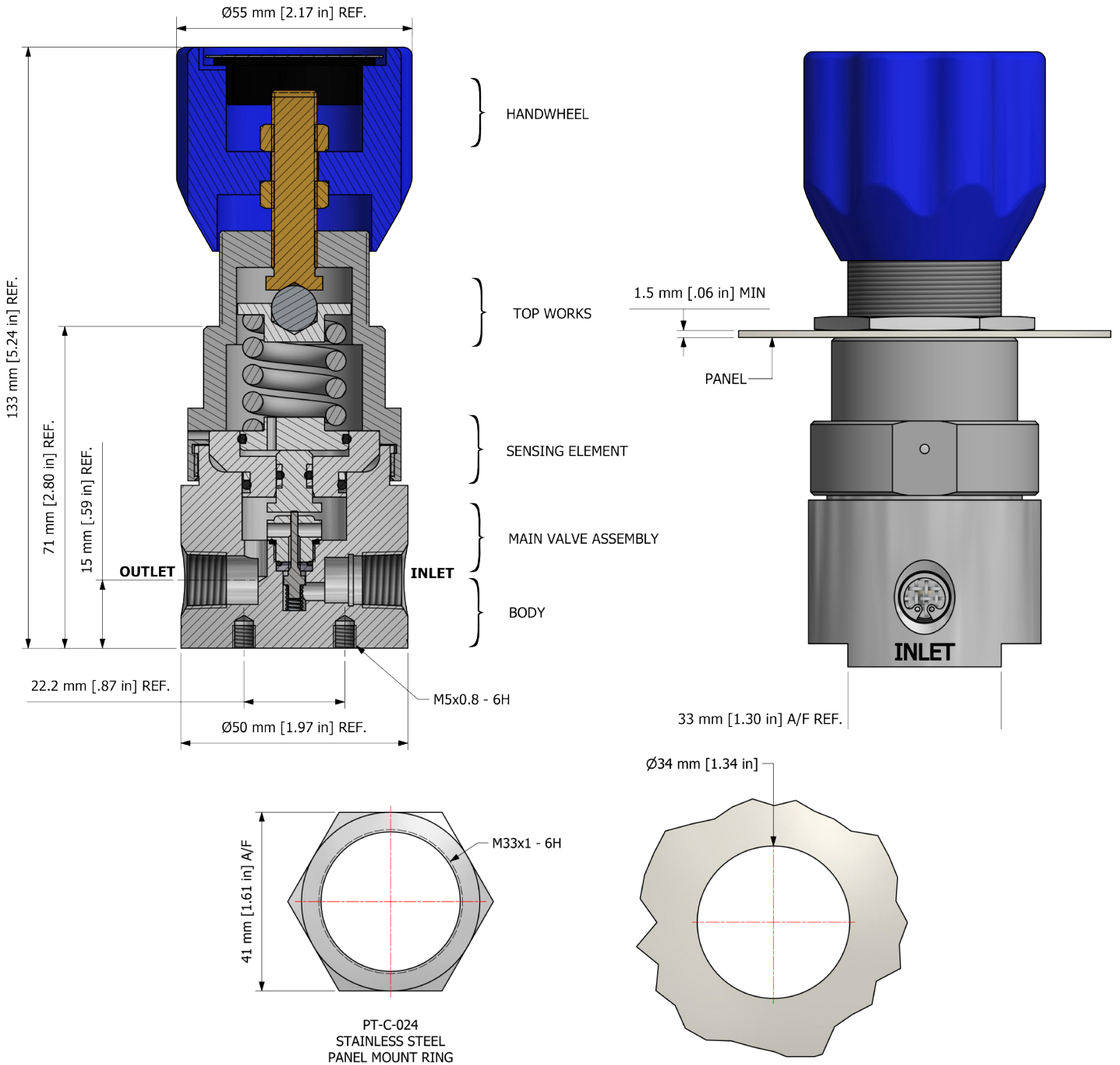


**PRESSURE TECH LTD**  
 Unit 24, Graphite Way, Hadfield, Glossop, Derbyshire, UK, SK13 1QH  
 +44 (0)1457 899 307 | [sales@pressure-tech.com](mailto:sales@pressure-tech.com) | [www.pressure-tech.com](http://www.pressure-tech.com)  
**DESIGNED, MANUFACTURED AND BUILT IN THE UK**  
 © 2024 Pressure Tech Ltd. All Rights Reserved.

190824

## DRAWINGS AND INSTALLATION DIMENSIONS

Dimensions shown for 1/4" NPT option and standard configurations only – please contact the office for other options.



**Note:**  
All gauge ports are 1/4" NPT as standard.

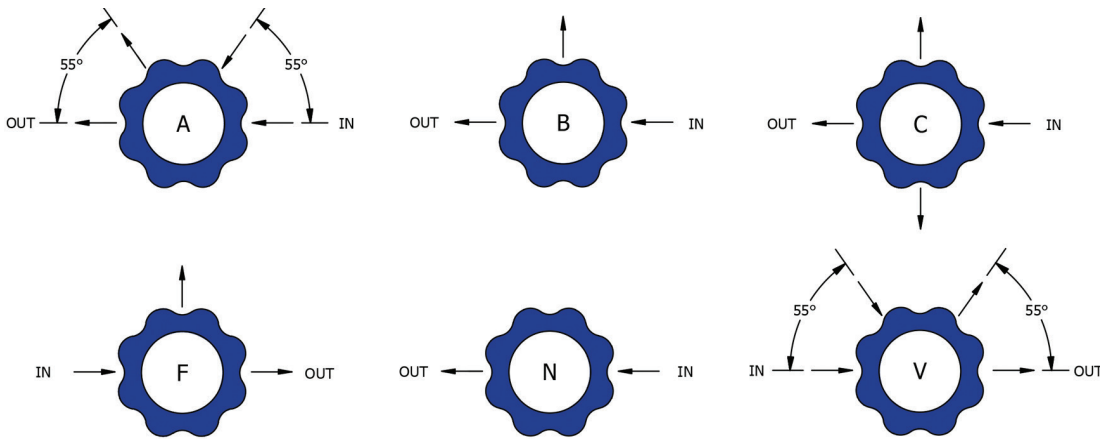
Product availability and specifications contained herein are subject to change without notice. Consult local distributor or factory for potential revisions and/or service related issues. Pressure Tech Ltd support with product selection recommendations only - it is the users responsibility to ensure the product is suitable for their specific application requirements.



## FLOW CURVE

Please contact the office for further information.

## PORTING CONFIGURATIONS



**Note:**

Additional porting configurations are available - please contact the office for further information.

Product availability and specifications contained herein are subject to change without notice. Consult local distributor or factory for potential revisions and/or service related issues. Pressure Tech Ltd support with product selection recommendations only - it is the users responsibility to ensure the product is suitable for their specific application requirements.



**PRESSURE TECH LTD**

Unit 24, Graphite Way, Hadfield, Glossop, Derbyshire, UK, SK13 1QH  
 +44 (0)1457 899 307 | [sales@pressure-tech.com](mailto:sales@pressure-tech.com) | [www.pressure-tech.com](http://www.pressure-tech.com)

**DESIGNED, MANUFACTURED AND BUILT IN THE UK**

© 2024 Pressure Tech Ltd. All Rights Reserved.

# LF311 Datasheet

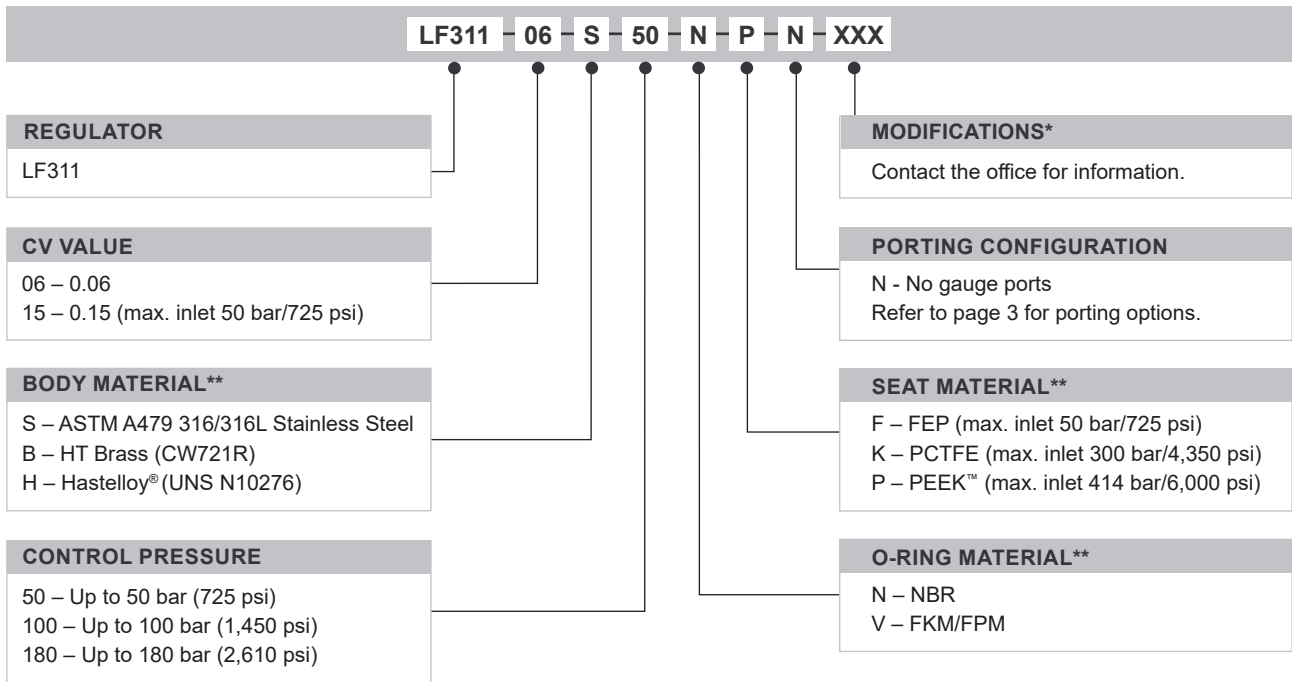
LOW-FLOW PRESSURE REGULATOR



Gas  
  Liquid  
  Diaphragm  
  Piston  
  Self-Venting  
  Non-Venting  
 Max Inlet: 414 bar (6,000 psi)  
 Max Outlet: 180 bar (2,610 psi)  
 Cv 0.06

## ORDERING INFORMATION

To build a Pressure Tech part number, simply combine the characters identified below in sequence:



OPTIONAL EXTRAS		
	PART NUMBER	DESCRIPTION
Service Kit	SRK-LF311...	Various options available
Panel Mounting Ring	PT-C-024	-

*Note:* Ancillary equipment also available

**TRADEMARKS:** PEEK™ is a trademark of Victrex PLC  
 Inconel® is a registered trademark of Inco Alloys International  
 Hastelloy® is a registered trademark of Haynes International, Inc

\* Where applicable  
 \*\* Other materials may be available

Product availability and specifications contained herein are subject to change without notice. Consult local distributor or factory for potential revisions and/or service related issues. Pressure Tech Ltd support with product selection recommendations only - it is the users responsibility to ensure the product is suitable for their specific application requirements.



**PRESSURE TECH LTD**  
 Unit 24, Graphite Way, Hadfield, Glossop, Derbyshire, UK, SK13 1QH  
 +44 (0)1457 899 307 | [sales@pressure-tech.com](mailto:sales@pressure-tech.com) | [www.pressure-tech.com](http://www.pressure-tech.com)  
**DESIGNED, MANUFACTURED AND BUILT IN THE UK**  
 © 2024 Pressure Tech Ltd. All Rights Reserved.

190824